

EDE5001 SUBSTATION ROOM GENERAL

DRAWING No.	TITLE	REVISION									
EDE5001-0000-1	TITLE PAGE AND REVISION HISTORY	1									
EDE5001-0001-1	DUCTS AND PENETRATIONS TYPICAL LAYOUTS	1	2								
EDE5001-0002-1	DUCTS AND PENETRATIONS SEALING OF DUCTS	1	2								
EDE5001-0003-1	SUBSTATION DOORS TYPICAL LAYOUTS	1	2								
EDE5001-0004-1	LOUVRE DETAILS TYPICAL LAYOUTS	1	2								

REVISION HISTORY		
DATE	REVISION	DESCRIPTION
20/07/2016	1	FIRST ISSUE
29/11/2017	2	DRAWING NUMBER CHANGED

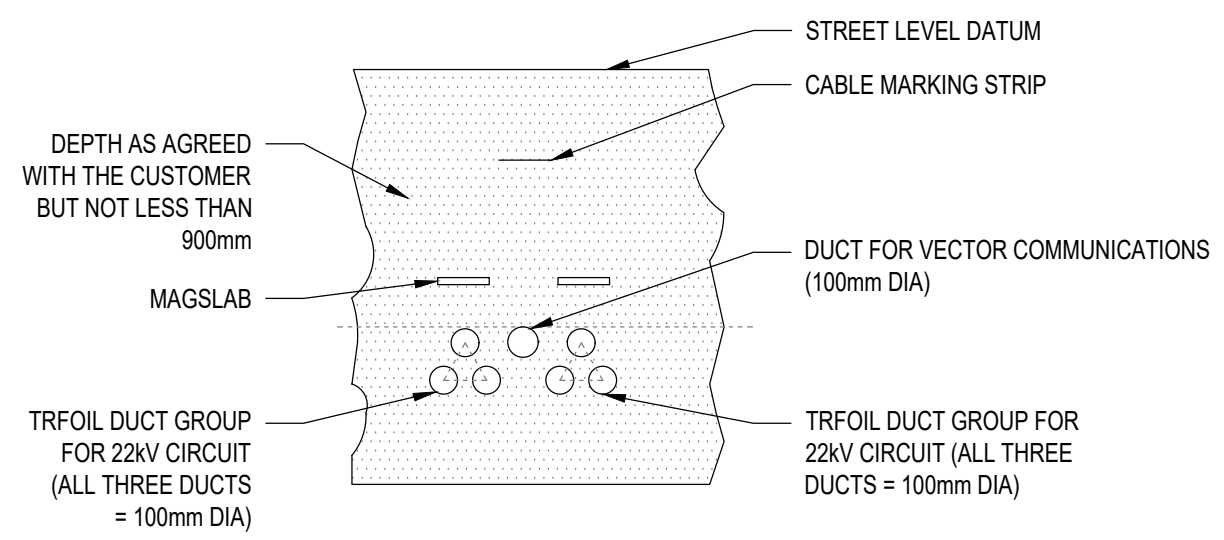
TO BE READ IN CONJUNCTION WITH VECTOR STANDARD ESE501 - DISTRIBUTION SUBSTATIONS IN BUILDINGS

Rev	Amendments	Date	Name	Consultant	VECTOR	File name:	SUBSTATION ROOM GENERAL		Reference designation:	Drawing function:	
1	FIRST ISSUE	18/09/2017	SC	Author	S CONTINI	EDE5001-0000-1.dwg	TITLE PAGE & REVISION HISTORY		Drawing stamp:	Scale at A3:	Doc type:
				Auth Date	18/09/2017	Consultant project no:			NTS		
				Checked by	H RICHARDS	Vector project no:	ESE501 - DISTRIBUTION SUBSTATIONS IN BUILDINGS		Drawing no:	Rev:	Sheet:
				Chk by date	18/09/2017		STANDARD DRAWING		EDE5001-0000	1	1 of 1
				Approved by	A PRASAD						
				Aprr by date	18/09/2017						

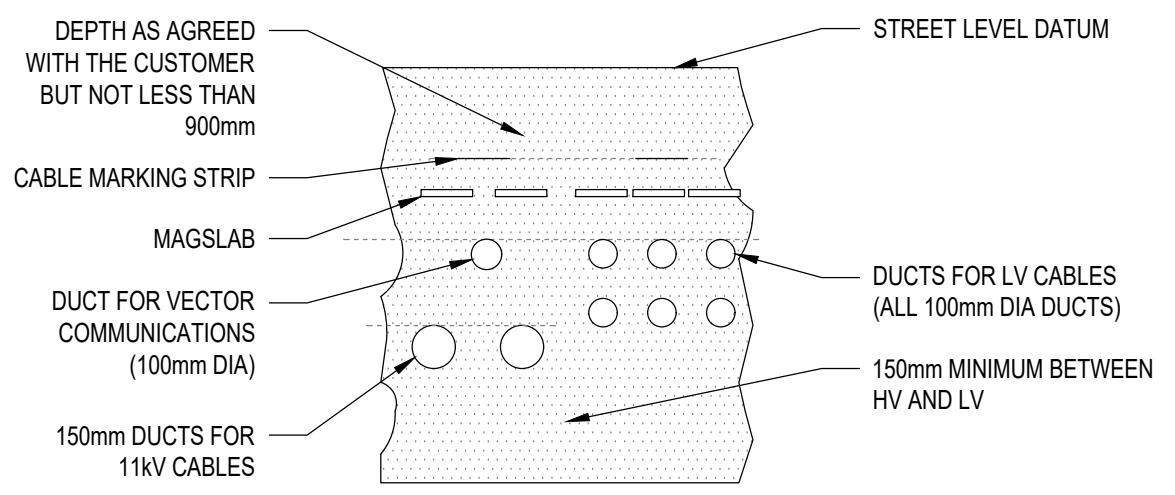


1 2 3 4 5 6 7 8

A

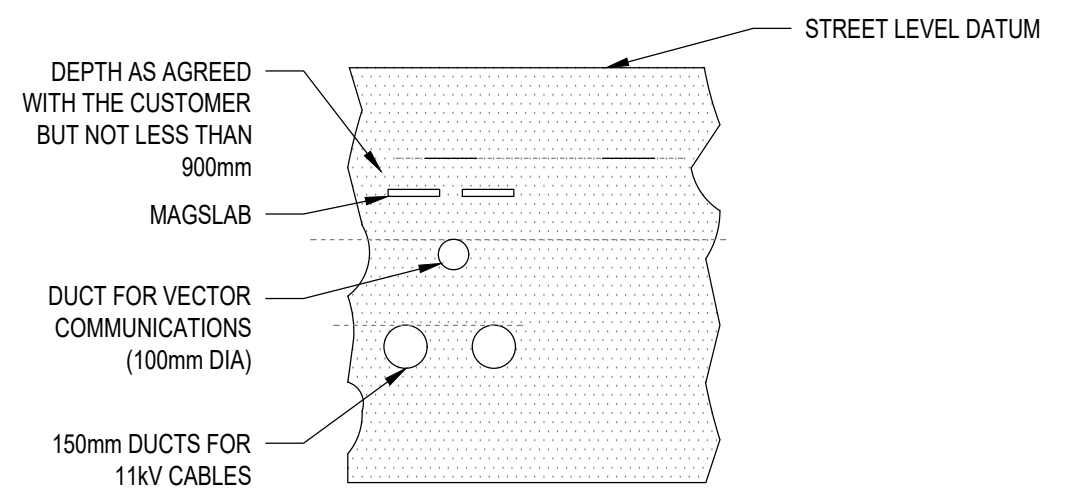


TYPICAL DUCT CONFIGURATION - SUBSTATIONS SUPPLIED AT 22KV



TYPICAL DUCT CONFIGURATION - SUBSTATIONS SUPPLIED AT 11KV WITH LV

C



TYPICAL DUCT CONFIGURATION - SUBSTATIONS SUPPLIED AT 11KV

D

E

NOTES

1. PENETRATIONS AND DUCTS FOR COMMUNICATIONS CABLES SHALL BE INSTALLED NOT WITHSTANDING THAT COMMUNICATIONS FIBRE OPTIC CABLES OR COPPER COMMUNICATIONS CABLES MIGHT NOT BE INSTALLED UNDER THE INITIAL SUBSTATION INSTALLATION.
2. IF HIGH DENSITY DUCTS ARE INSTALLED IN THE BERM THEN MAGSLABS CAN BE OMITTED BUT MARKING TAPE SHALL BE INSTALLED.
3. DUCT LAYOUTS ARE TYPICAL AND THE ACTUAL QUANTITY OF DUCTS AND FINAL LAYOUT OF DUCTS SHALL SUIT THE ACTUAL REQUIREMENTS.
4. THE CUSTOMER IS RESPONSIBLE FOR WATERPROOFING OF DUCTS TO BUILDING ELEMENTS. VECTOR IS RESPONSIBLE FOR WATERPROFF BETWEEN CABLES AND DUCT WALLS.

F

Rev	Amendments	Date	Name	Consultant	VECTOR	File name:	Reference designation:	Drawing function:			
1	FIRST ISSUE	20/07/2016	KG	Author	KG	EDE5001-0001-1.dwg	Drawing stamp:	Scale at A3: 1:25	Doc type:		
2	SUPERSEEDS DRAWING NUMBER EDE5012	29/11/2017	KV	Auth Date	19/07/16	Consultant project no:			Drawing no: EDE5001-0001	Rev: 2	Sheet:
				Checked by	JM	Vector project no:	1 of 1				
				Chk by date	19/07/16						
				Approved by	AP						
				Aprr by date	19/07/16						

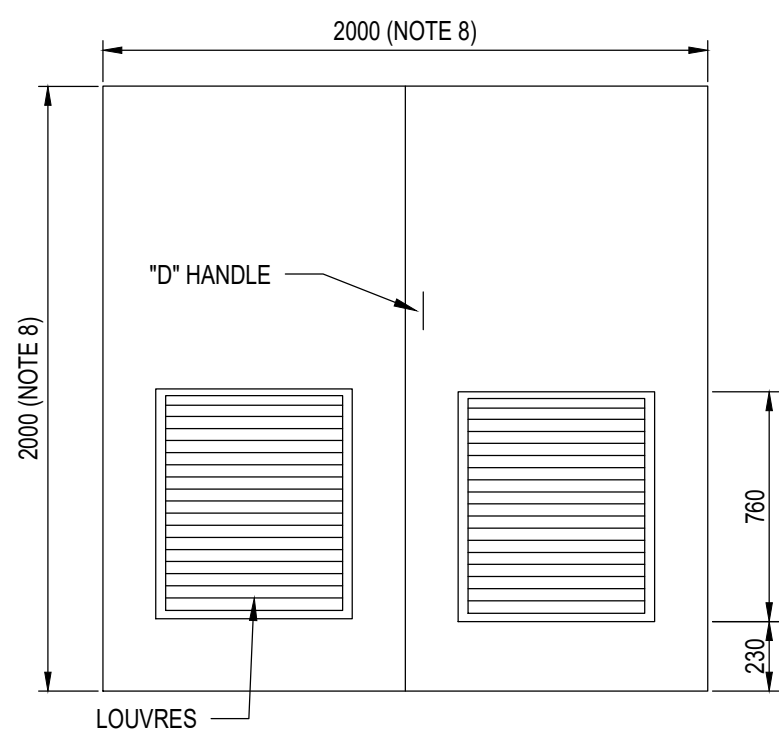


**SUBSTATION ROOM GENERAL
DUCTS AND PENETRATIONS
TYPICAL LAYOUTS**
ESE501 - DISTRIBUTION SUBSTATIONS IN BUILDINGS
STANDARD DRAWING

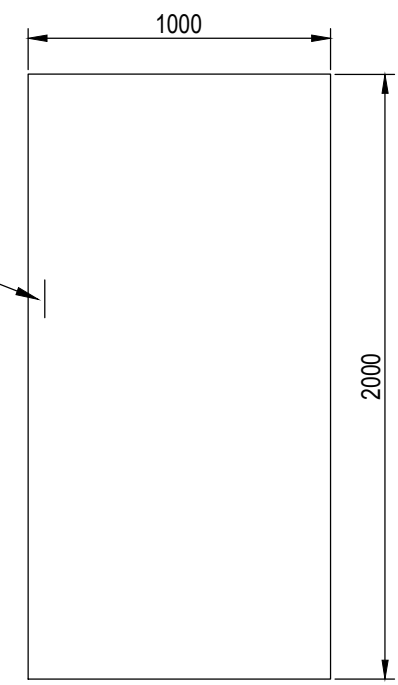
A3 Titleblock Version 4. © Copyright Vector Limited 2012 T:\Transfer\Kenaz Vergis\test\ EDE5001-0001-1.dwg

1 2 3 4 5 6 7 8

A3 Titleblock Version 4. © Copyright Vector Limited 2012 T:\Transfer\Kenaz Vergis\test\ EDE5001-0003-1.dwg



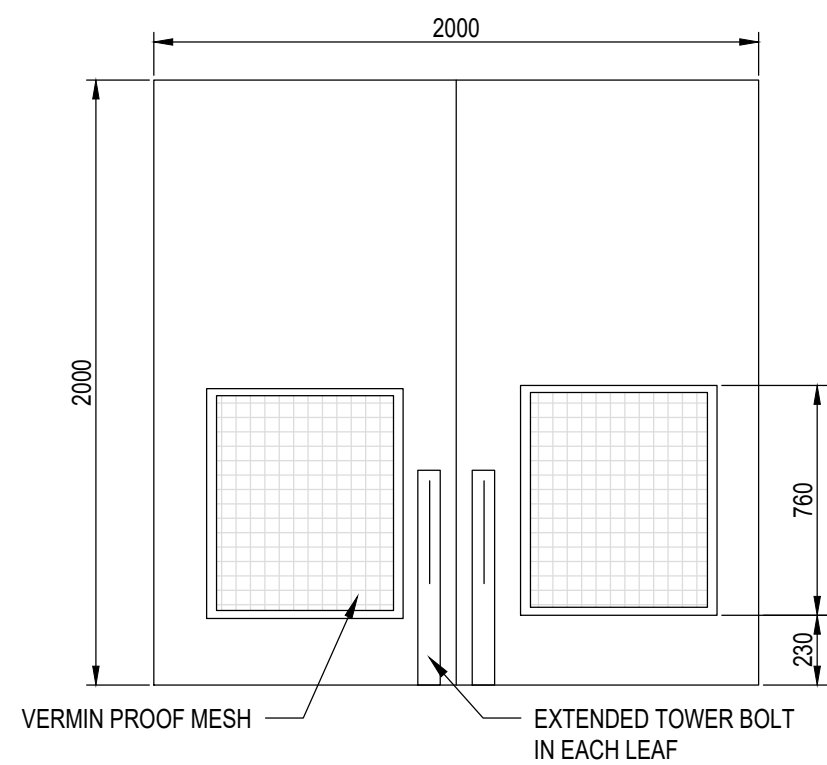
FRONT ELEVATION
TRANSFORMER/COMBINED SWITCH ROOM



FRONT ELEVATION
SWITCH ROOM

NOTES:

1. ALL SUBSTATION DOORS THAT DO NOT DIRECTLY OPEN EXTERNALLY SHALL HAVE AN FRR RATING OF TWO HOURS. REFER EXCEPTION NOTE 2.
2. DOORS THAT OPEN EXTERNALLY AND A STRUCTURE EXISTS WITHIN 4M OF THOSE DOORS SHALL HAVE A FRR RATING OF TWO HOURS.
3. ALL TRANSFORMER ROOMS SHALL HAVE TWO LEAF DOORS.
4. WHERE SEPARATE SWITCHGEAR ROOMS ARE REQUIRED THE SWITCHGEAR ROOM SHALL BE SINGLE LEAF UNLESS OTHERWISE ADVISED BY VECTOR'S ENGINEERING REPRESENTATIVE.
5. THE DIMENSIONS SHOWN IN THIS DRAWING ARE THE MINIMUM REQUIREMENTS.
6. DOUBLE DOORS SHALL BE FITTED ON THE INSIDE WITH DROP SHUTTERS AND FIRE FUSIBLE LINKS TO CLOSE LOUVRES IN THE EVENT OF A FIRE.
7. ALL HINGES SHALL BE STAINLESS STEEL.
8. DOUBLE DOORS SHALL BE FITTED WITH A MEETING STILE.
9. FOR SWITCHROOM WITH 1.5 MVA TRANSFORMER INCREASE
 - a) DOOR WIDTH WITH FIXED LEAF TO INCREASE DOOR WIDTH TO 2400.
 - b) EXTEND HEIGHT OF DOORS TO 2400.



REAR (INSIDE) ELEVATION
TRANSFORMER/COMBINED SWITCH ROOM

Rev	Amendments		Date	Name	Consultant	VECTOR	File name:	Reference designation:		Drawing function:			
	1	FIRST ISSUE	20/07/2016	KG	Author	KG	EDE5001-0003-1.dwg	Drawing stamp:		Scale at A3:	Doc type:		
2	SUPERSEEDS DRAWING NUMBER EDE5014	29/11/2017	KV	Auth Date	19/07/16	Checked by	JM	Consultant project no:	NTS				
				Chk by date	19/07/16	Approved by	AP	Vector project no:	Drawing no:		Rev:	Sheet:	
				Aprr by date	19/07/16	 <p>© Copyright Vector Limited 2012 All rights reserved, unauthorised reproduction prohibited</p>		ESE501 - DISTRIBUTION SUBSTATIONS IN BUILDINGS		EDE5001-0003		2	1 of 1
					STANDARD DRAWING								

1 2 3 4 5 6 7 8

A

B

C

D

E

F

A

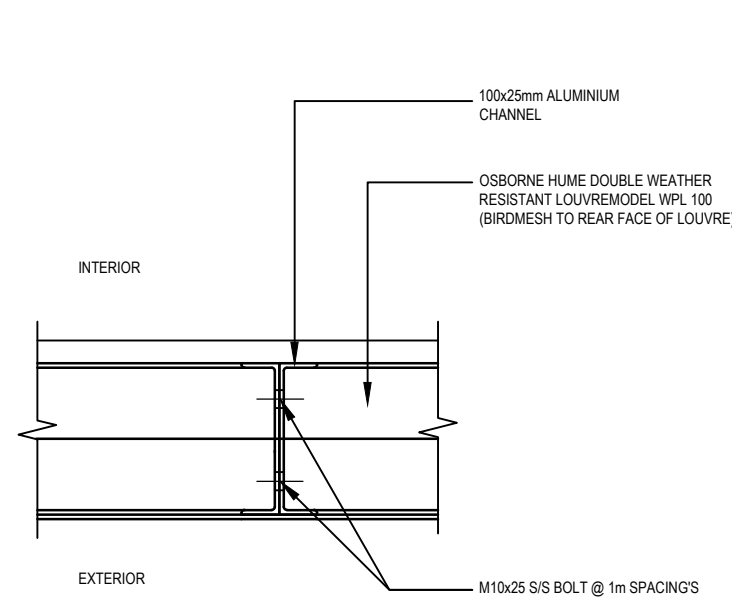
B

C

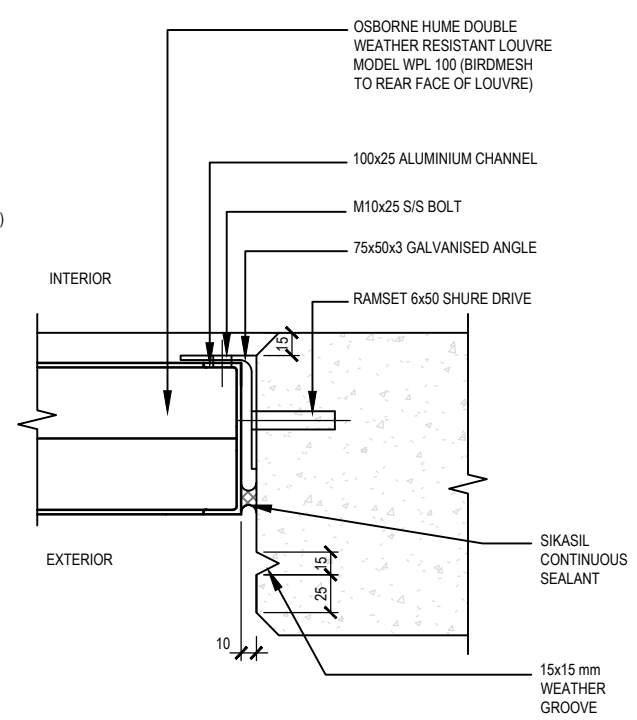
D

E

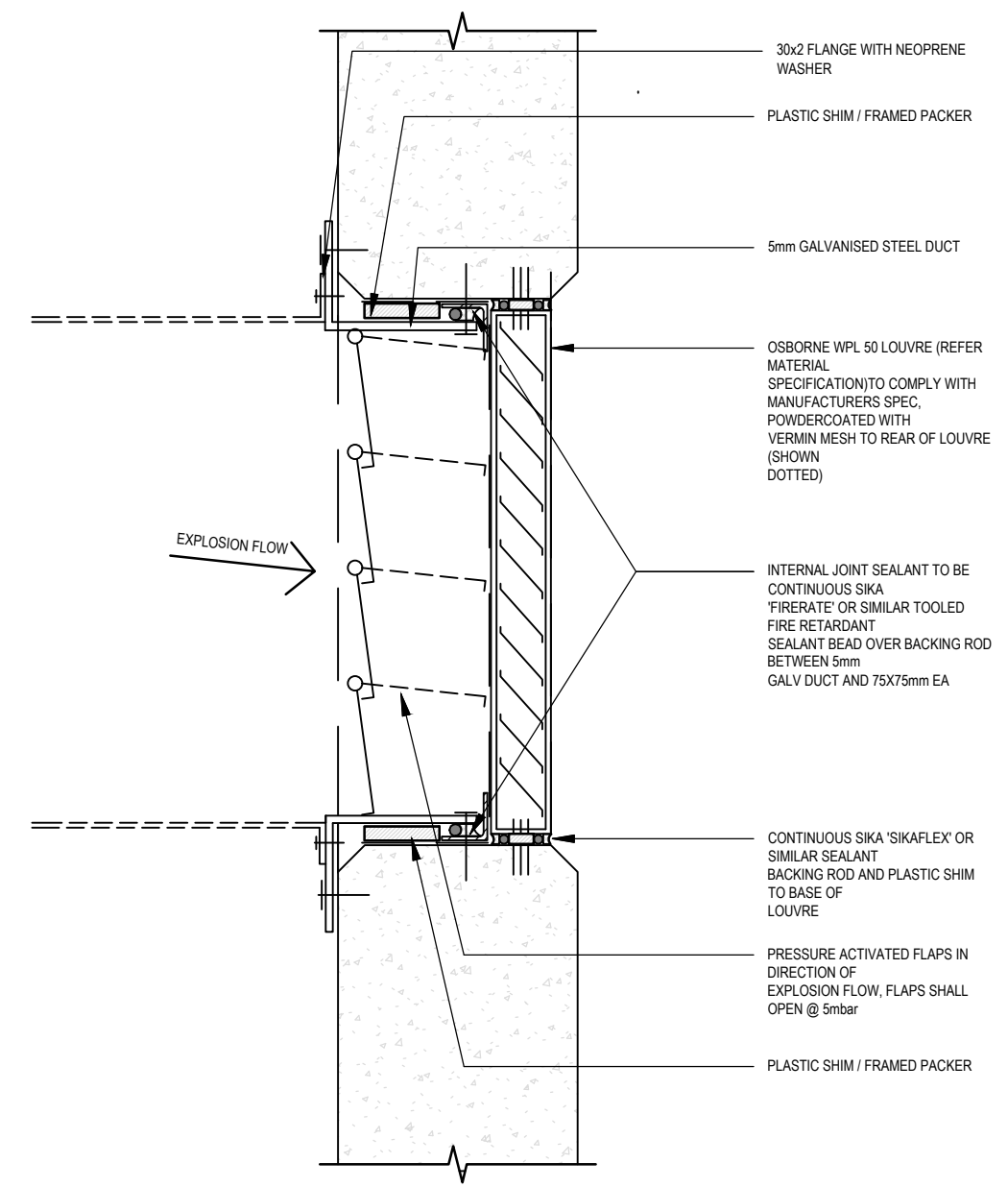
F



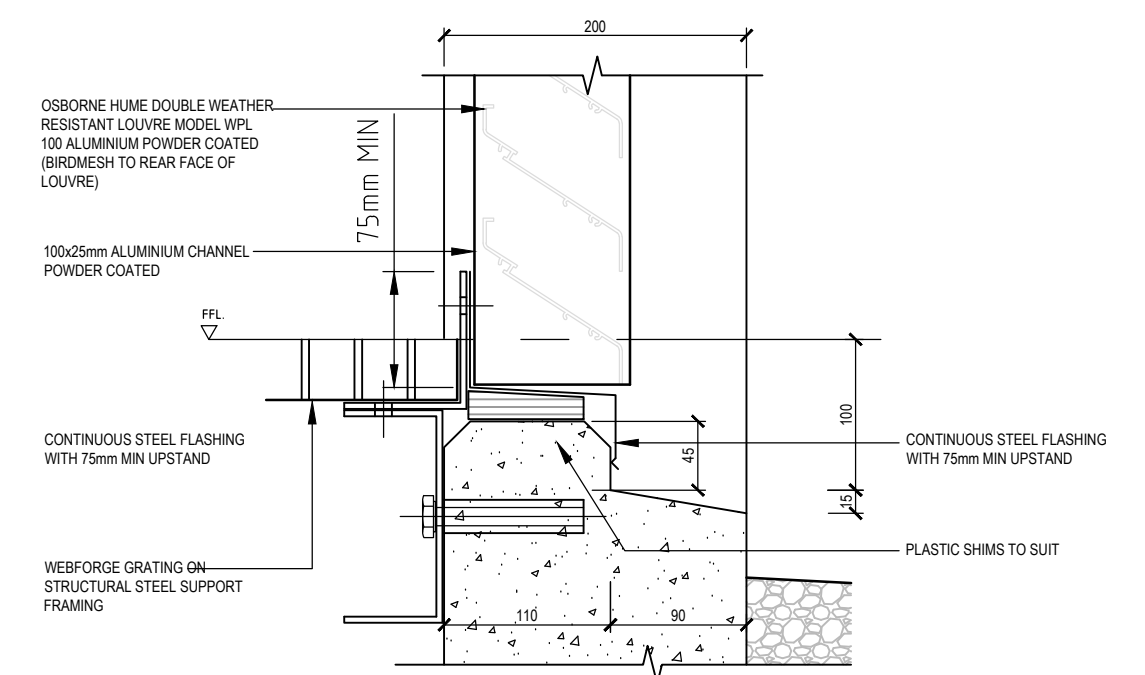
1 MULLION DETAIL
4.112-8320 1:5



2 JAMB DETAIL
4.112-8320 1:5



4 BLAST VENT DETAIL
4.112-8350 1:5



3 LOUVRE SILL DETAIL
4.112-8350 1:5

Rev	Amendments	Date	Name	Consultant	VECTOR	File name:
1	FIRST ISSUE	18/09/2017	SC	Author	S CONTINI	EDE5001-0004-1.dwg
2	SUPERSEEDS DRAWING NUMBER 4114-8531	29/11/2017	KV	Auth Date	18/09/2017	Consultant project no:
				Checked by	H RICHARDS	Vector project no:
				Chk by date	18/09/2017	
				Approved by	A PRASAD	
				Aprr by date	13/05/2016	



**SUBSTATION ROOM GENERAL
LOUVRE DETAILS PRESSURE RELIEF VENT
TYPICAL LAYOUT**

ESE501 - DISTRIBUTION SUBSTATIONS IN BUILDINGS
STANDARD DRAWING

Reference designation:		Drawing function:	
Drawing stamp:	Scale at A3: 1:5	Doc type:	
Drawing no: EDE5001-0004	Rev: 1	Sheet: 1 of 1	

1 2 3 4 5 6 7 8

A3 Titleblock Version 4. © Copyright Vector Limited 2012 T:\Transfer\Kenaz Vergis\test\ EDE5001-0004-1.dwg