

1 2 3 4 5 6 7 8

A

A

EDE5007 DISTRIBUTION PACKAGE SUBSTATION BFLR RATED INSTALLATION DRAWINGS

B

B

DRAWING No.	TITLE	REVISION									
		1	2	3							
EDE5007-0000-1	TITLE PAGE AND REVISION HISTORY	1	2	3							
EDE5007-0001-1	WOOD FRAME PAD ASSEMBLY FOR DISTRIBUTION PACKAGE SUBSTATIONS BFLR RATED ON FLAT GROUND	1									
EDE5007-0002-1	WOOD FRAME PAD ASSEMBLY FOR DISTRIBUTION PACKAGE SUBSTATION BFLR RATED ON SLOPING GROUND	1									
EDE5007-0003-1	INSTALLATION OF PRECAST BASE AND FRAME FOR DISTRIBUTION PACKAGE SUBSTATION BFLR RATED ON FLAT GROUND	1	2								
EDE5007-0004-1	INSTALLATION OF PRECAST BASE AND FRAME FOR DISTRIBUTION PACKAGE SUBSTATION BFLR RATED ON SLOPING GROUND	1	2								
EDE5007-0005-1	GENERAL ARRANGEMENT	1									
EDE5007-0006-1	FOOTPRINT AND GENERAL DETAILS	1									

C

C

D

D

TO BE READ IN CONJUNCTION WITH VECTOR STANDARD ESE502 - DISTRIBUTION PACKAGE SUBSTATIONS

E

E

Rev 1	FIRST ISSUE	Date 18/09/2017	Name SC	Consultant	VECTOR	File name:	EDE5007-0000-1.dwg	DISTRIBUTION PACKAGE SUBSTATION BFLR RATED INSTALLATION DRAWINGS TITLE PAGE & REVISION HISTORY	Reference designation:		Drawing function:	
				Author	SC	Consultant project no:			Drawing stamp:	Scale at A3: NTS	Doc type:	
				Checked by	HR	Vector project no:						
				Chk by date	18/09/2017				ESE502 - DISTRIBUTION PACKAGE SUBSTATIONS STANDARD DRAWING	Drawing no: EDE5007-0000	Rev: 1	Sheet: 1 of 1
				Approved by	AP							
Appr by date	18/09/2017											



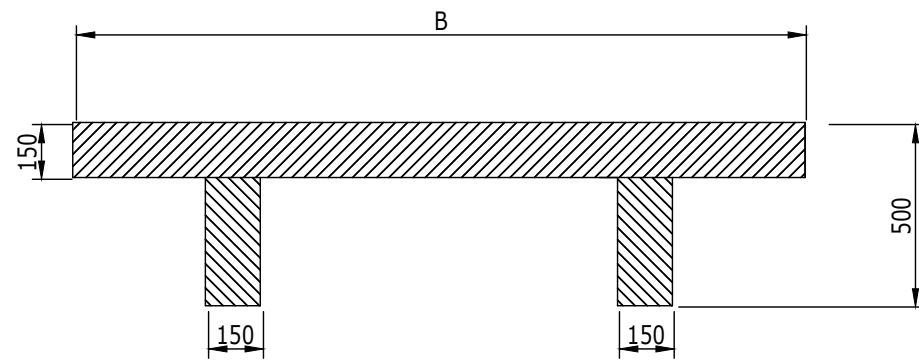
1 2 3 4 5 6 7 8

A3 Titleblock Version 4. © Copyright Vector Limited 2012 T:\SilverGroup\NETWORK\NETWORK STANDARDS\Standard drawings\New Standard Drawing Numbering System - IN PROGRESS\15 - Distribution\CAD\ EDE5007-0000-1.dwg

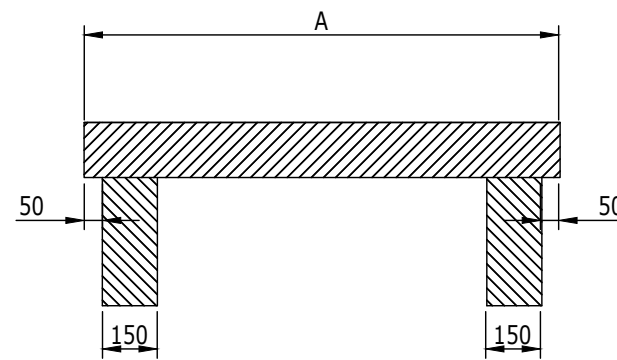
F

F

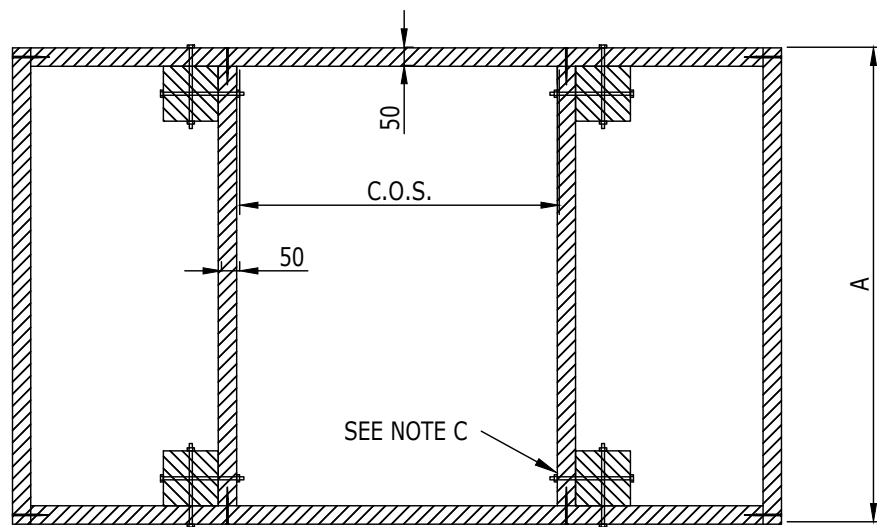
A3 Titleblock Version 4. © Copyright Vector Limited 2012 T:\SilverGroup\NETWORK\NETWORK STANDARDS\Standard drawings\New Standard Drawing Numbering System - IN PROGRESS\15 - Distribution\CAD\ EDE5007-0001-1.dwg



FRONT VIEW



SIDE VIEW



TOP VIEW

DIMENSION	
A	1800
B	2776

NOTES:

- A. ALL DIMENSIONS ARE IN MILLIMETERS.
- B. 150X50 & 150X150 H5 TREATED STRUCTURAL TIMBER SHALL BE USED FOR WOOD FRAME CONSTRUCTION.
- C. M12 x 250mm LENGTH STAINLESS STEEL BOLTS TO BE USED TO FIT LEGS TO FRAME. STAINLESS STEEL SCREWS SHALL BE USED TO FIT THE FRAME TOGETHER.

Rev	Amendments	Date	Name	Consultant	VECTOR	File name:	Reference designation:	Drawing function:	
1	FIRST ISSUE	18/09/2017	SC	Author	SC	EDE5007-0001-1.dwg	Drawing stamp:	Scale at A3:	Doc type:
				Auth Date	18/09/2017	Consultant project no:		NTS	
				Checked by	HR	Vector project no:	Drawing no:	Rev:	Sheet:
				Chk by date	18/09/2017		EDE5007-0001	1	1 of 1
				Approved by	AP				
				Appr by date	18/09/2017				

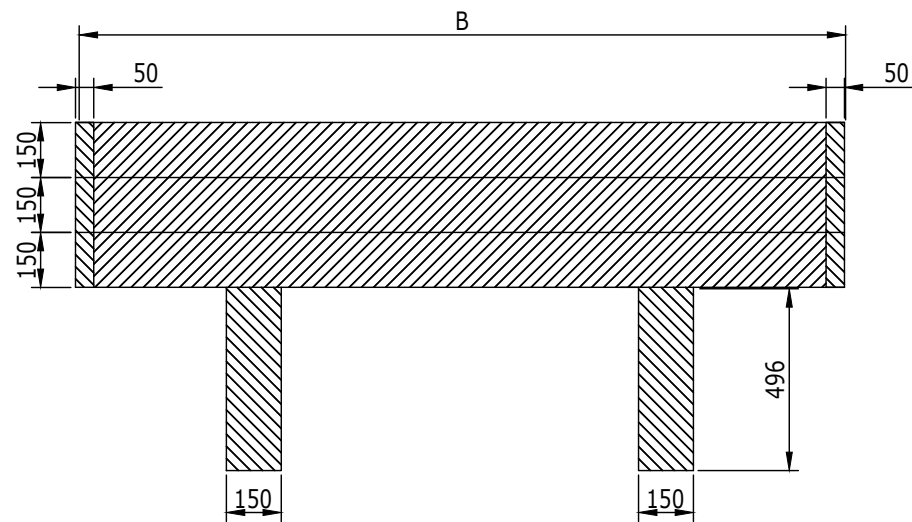


DISTRIBUTION PACKAGE SUBSTATION BFLR RATED INSTALLATION DRAWINGS
 WOOD FRAME PAD ASSEMBLY FOR DISTRIBUTION PACKAGE
 SUBSTATION BFLR RATED ON FLAT GROUND
 ESE502 - DISTRIBUTION PACKAGE SUBSTATIONS
 STANDARD DRAWING

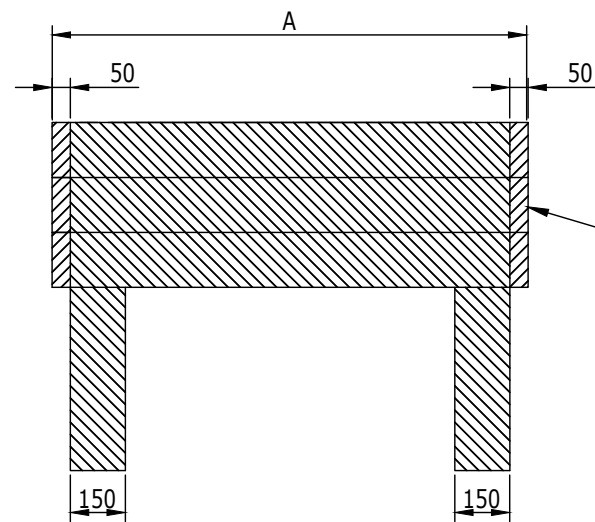
Reference designation:
 Drawing stamp:
 Drawing no:
EDE5007-0001

Drawing function:
 Scale at A3:
 NTS
 Rev:
1
 Sheet:
1 of 1

A3 Titleblock Version 4. © Copyright Vector Limited 2012 T:\SilverGroup\NETWORK\STANDARDS\Standard drawings\New Standard Drawing Numbering System - IN PROGRESS\15 - Distribution\CAD\ EDE5007-0002-1.dwg

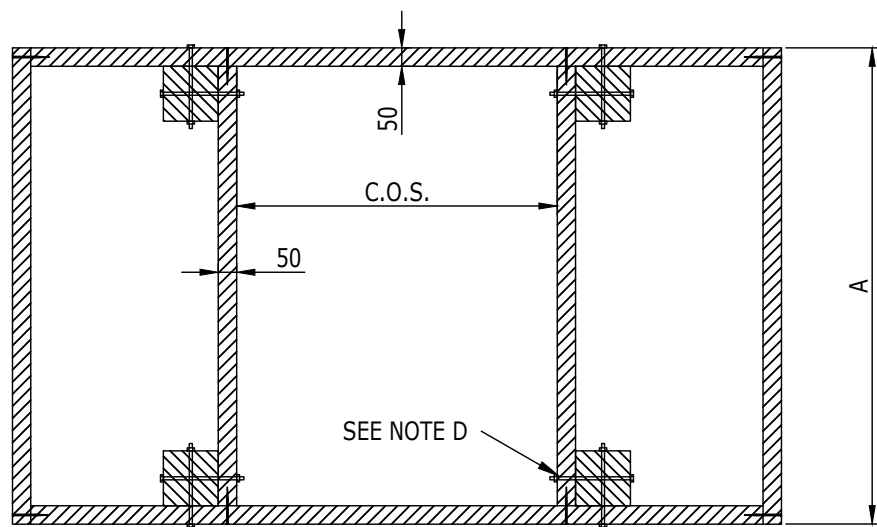


FRONT VIEW



SIDE VIEW

LEVEL OF WOOD FRAME
SEE NOTE C



TOP VIEW

SEE NOTE D

DIMENSION	
A	1800
B	2776

NOTES:

- A. ALL DIMENSIONS ARE IN MILLIMETERS.
- B. 150X50 & 150X150 H5 TREATED STRUCTURAL TIMBER SHALL BE USED FOR WOOD FRAME CONSTRUCTION.
- C. LEVELS OF WOOD FRAME SHALL BE CONFIRMED ON SITE BY SERVICE PROVIDERS.
- D. M12 x 250mm LENGTH STAINLESS STEEL BOLTS TO BE USED TO FIT LEGS TO FRAME. STAINLESS STEEL SCREWS SHALL BE USED TO FIT THE FRAME TOGETHER.

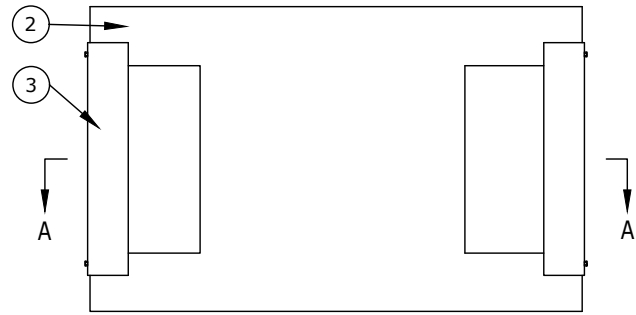
Rev	Amendments	Date	Name	Consultant	VECTOR	File name:	Reference designation:	Drawing function:	
1	FIRST ISSUE	18/09/2017	SC	Author	SC	EDE5007-0002-1.dwg	Drawing stamp:	Scale at A3:	Doc type:
				Auth Date	18/09/2017	Consultant project no:		NTS	
				Checked by	HR	Vector project no:	Drawing no:	Rev:	Sheet:
				Chk by date	18/09/2017		EDE5007-0002	1	1 of 1
				Approved by	AP				
				Appr by date	18/09/2017				



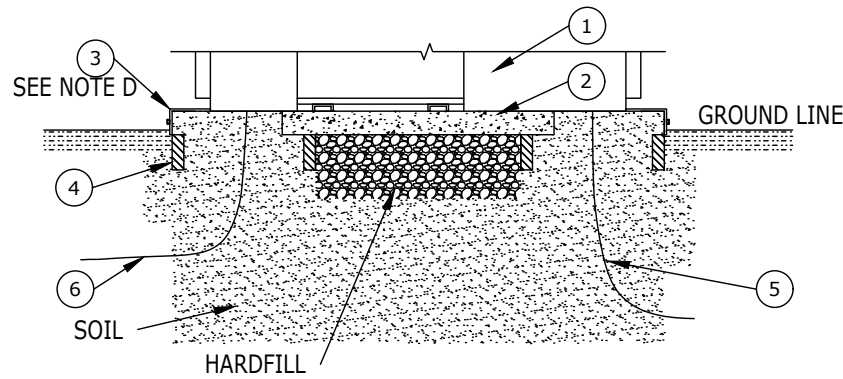
DISTRIBUTION PACKAGE SUBSTATION BFLR RATED INSTALLATION DRAWINGS
WOOD FRAME PAD ASSEMBLY FOR DISTRIBUTION PACKAGE
SUBSTATION BFLR RATED ON SLOPING GROUND
ESE502 - DISTRIBUTION PACKAGE SUBSTATIONS
STANDARD DRAWING

Reference designation:
Drawing stamp:
Drawing no:
EDE5007-0002
Scale at A3:
NTS
Rev:
1
Doc type:
Sheet:
1 of 1

A3 Titleblock Version 4. © Copyright Vector Limited 2012 T:\SilverGroup\NETWORK\STANDARDS\Standard drawings\New Standard Drawing Numbering System - IN PROGRESS\15 - Distribution\CAD\ EDE5007-0003-1.dwg



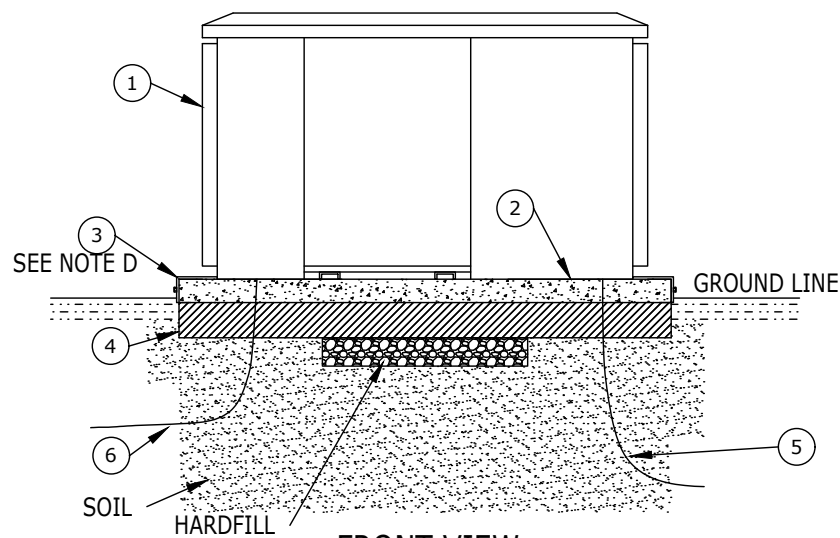
TOP VIEW - PRECAST CONCRETE BASE



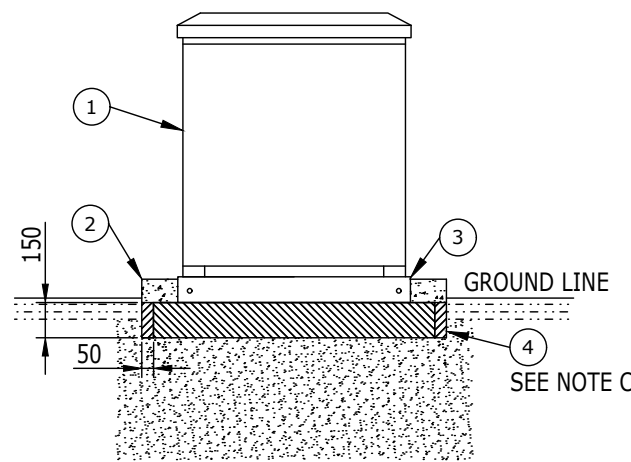
SECTION VIEW A-A

NOTES:

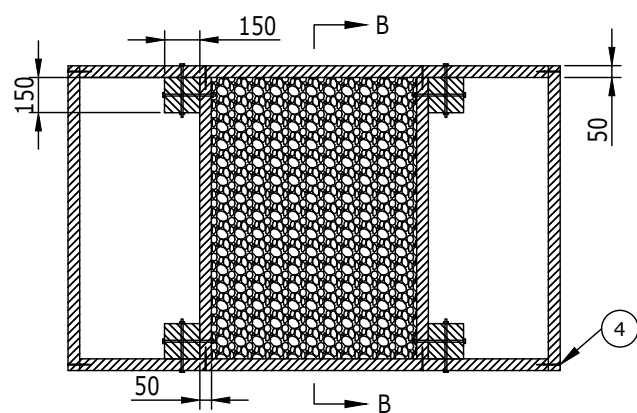
- A. ALL DIMENSIONS ARE IN MILLIMETERS.
- B. COMPACT HARDFILL SHALL BE CAPABLE OF PERMANENTLY WITHSTANDING AN ULTIMATE BEARING CAPACITY OF 300KPa.
- C. LEVELS OF WOOD FRAME SHALL BE CONFINED ON SITE BY SERVICE PROVIDERS
- D. ANGLE PLATES SHALL EXTEND TO PREVENT ACCESS INTO CABLE COMPARTMENTS.



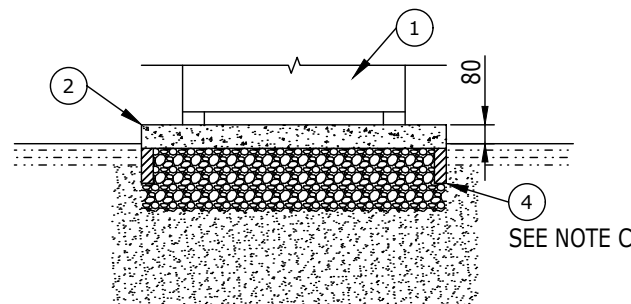
FRONT VIEW



SIDE VIEW



BOTTOM VIEW - WOOD FRAME



SECTION VIEW B-B

ITEM	DESCRIPTION	REFERENCE
1	PACKAGE SUBSTATION	
2	PRECAST CONCRETE BASE	
3	ANGLE PLATE	
4	WOOD FRAME	
5	HV UNDERGROUND CABLE	
6	LV UNDERGROUND CABLE	

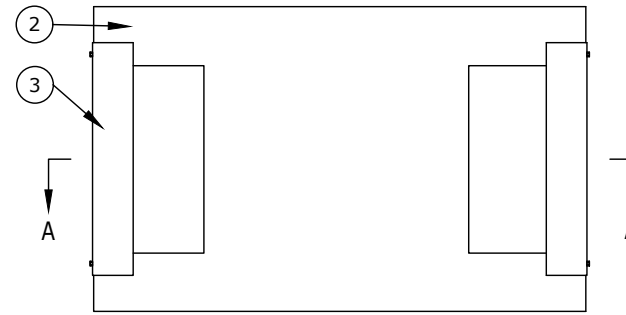
Rev	Amendments	Date	Name	Consultant	VECTOR	File name:
1	FIRST ISSUE	18/09/2017	SC	Author	SC	EDE5007-0003-1.dwg
2	SOIL AREA FILLED	14/12/2017	KV	Auth Date	18/09/2017	Consultant project no:
				Checked by	HR	Vector project no:
				Chk by date	18/09/2017	
				Approved by	AP	
				Appr by date	18/09/2017	



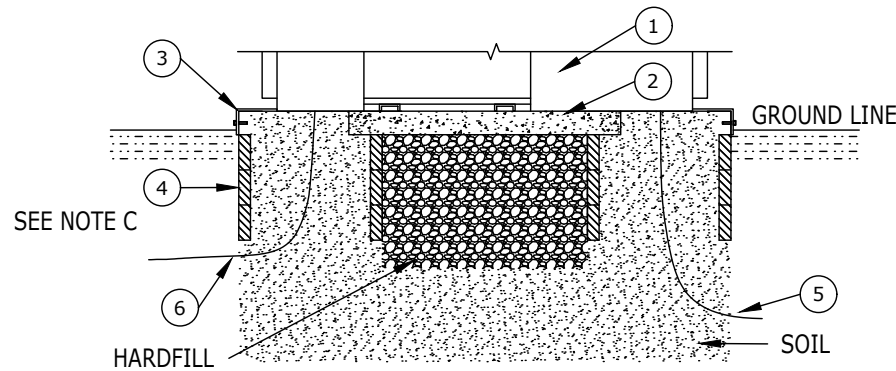
DISTRIBUTION PACKAGE SUBSTATION BFLR RATED INSTALLATION DRAWINGS
 INSTALLATION OF PRECAST BASE AND FRAME FOR DISTRIBUTION
 PACKAGE SUBSTATION BFLR RATED ON FLAT GROUND
 ESE502 - DISTRIBUTION PACKAGE SUBSTATIONS
 STANDARD DRAWING

Reference designation:		Drawing function:	
Drawing stamp:	Scale at A3: NTS	Doc type:	
Drawing no: EDE5007-0003	Rev: 2	Sheet: 1 of 1	

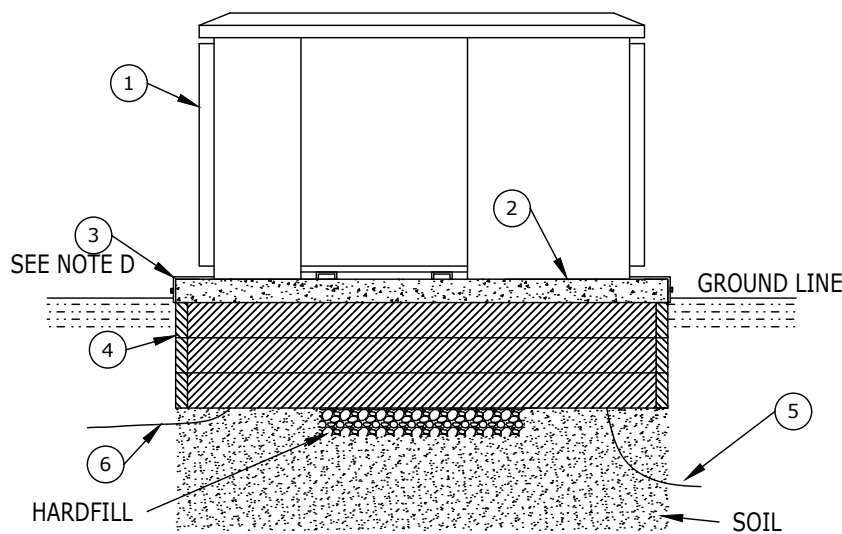
A3 Titleblock Version 4. © Copyright Vector Limited 2012 T:\SilverGroup\NETWORK\NETWORK STANDARDS\Standard drawings\New Standard Drawing Numbering System - IN PROGRESS\5 - Distribution\CAD\ED5007-0004-1.dwg



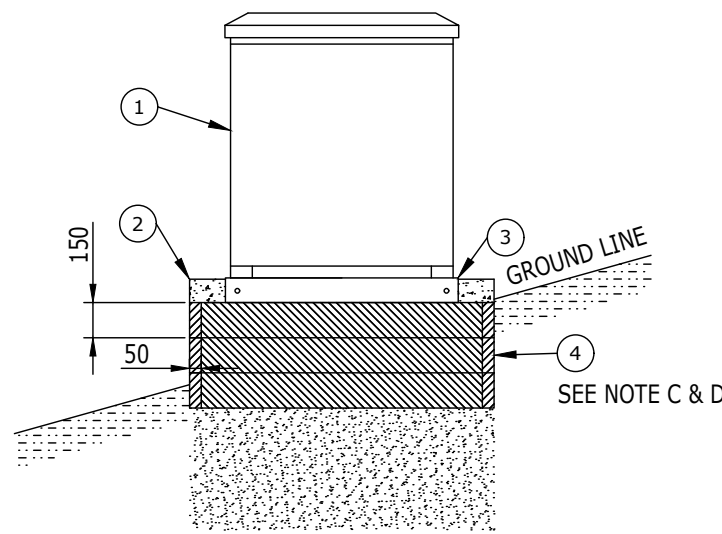
TOP VIEW - PRECAST CONCRETE BASE



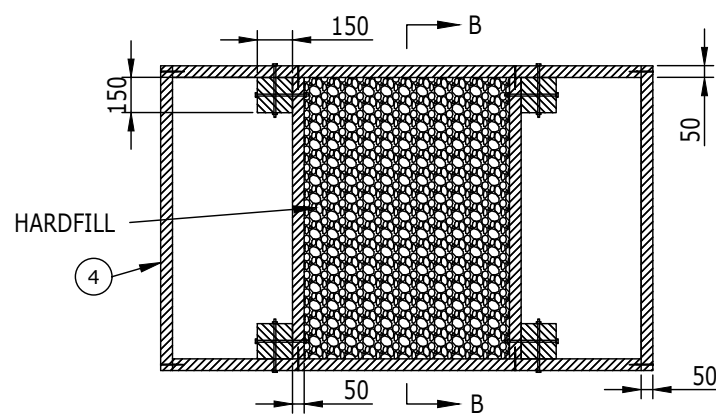
SECTION VIEW A-A



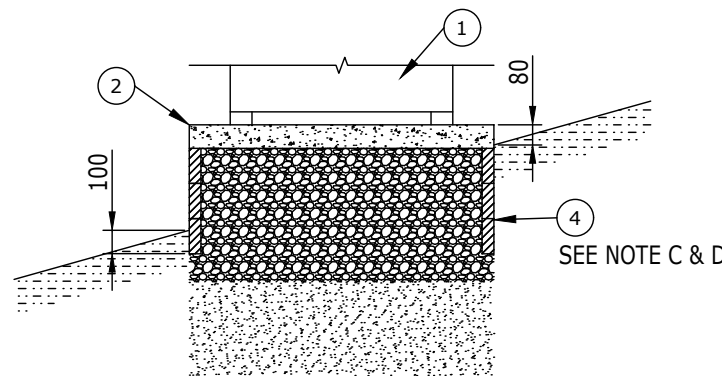
FRONT VIEW



SIDE VIEW



BOTTOM VIEW - WOOD FRAME



SECTION VIEW B-B

NOTES:

- A. ALL DIMENSIONS ARE IN MILLIMETERS.
- B. COMPACT HARDFILL SHALL BE CAPABLE OF PERMANENTLY WITHSTANDING AN ULTIMATE BEARING CAPACITY OF 300KPa.
- C. LEVELS OF WOOD FRAME SHALL BE CONFIRMED ON SITE BY SERVICE PROVIDERS.
- D. ANGLE PLATES SHALL EXTEND TO PREVENT ACCESS INTO CABLE COMPARTMENTS.

ITEM	DESCRIPTION	REFERENCE
1	PACKAGE SUBSTATION	
2	PRECAST CONCRETE BASE	
3	ANGLE PLATE	
4	WOOD FRAME	
5	HV UNDERGROUND CABLE	
6	LV UNDERGROUND CABLE	

Rev	Amendments	Date	Name	Consultant	VECTOR	File name:
1	FIRST ISSUE	18/09/2017	SC	Author	SC	EDE5007-0004-1.dwg
2	SOIL AREA EDITED	14/12/2017	KV	Auth Date	18/09/2017	Consultant project no:
				Checked by	HR	Vector project no:
				Chk by date	18/09/2017	
				Approved by	AP	
				Appr by date	18/09/2017	



DISTRIBUTION PACKAGE SUBSTATION BFLR RATED INSTALLATION DRAWINGS
 INSTALLATION OF PRECAST BASE AND FRAME FOR DISTRIBUTION
 PACKAGE SUBSTATION BFLR RATED ON SLOPING GROUND
 ESE502 - DISTRIBUTION PACKAGE SUBSTATIONS
 STANDARD DRAWING

Reference designation:		Drawing function:	
Drawing stamp:	Scale at A3: NTS	Doc type:	
Drawing no: EDE5007-0004	Rev: 2	Sheet: 1 of 1	