

A3 Titleblock Version 4. © Copyright Vector Limited 2012 T:\SilverGroup\NETWORK\NETWORK STANDARDS\Standard drawings\New Standard Drawing Numbering System - IN PROGRESS\15 - Distribution\CAD\ EDE5008-0000-1.dwg

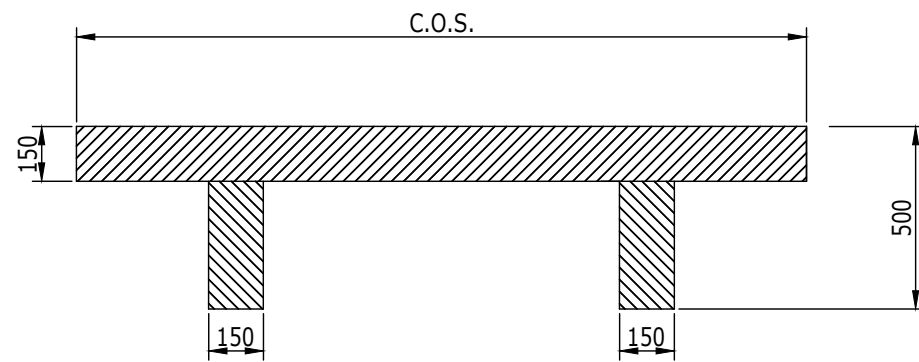
# EDE5008 DISTRIBUTION TRANSFORMER INSTALLATION DRAWINGS

DRAWING No.	TITLE	REVISION	
EDE5008-0000-1	TITLE PAGE AND REVISION HISTORY	1	2
EDE5008-0001-1	WOOD FRAME PAD ASSEMBLY FOR CUBICLE TYPE DISTRIBUTION TRANSFORMER FLAT GROUND INSTALLATION	1	2
EDE5008-0002-1	WOOD FRAME PAD ASSEMBLY FOR CUBICLE TYPE DISTRIBUTION TRANSFORMER SLOPING GROUND INSTALLATION	1	2
EDE5008-0003-1	INSTALLATION OF PRECAST BASE AND FRAME FOR CUBICLE TYPE DISTRIBUTION TRANSFORMER FLAT GROUND INSTALLATION	1	2
EDE5008-0004-1	INSTALLATION OF PRECAST BASE AND FRAME FOR CUBICLE TYPE DISTRIBUTION TRANSFORMER SLOPING GROUND INSTALLATION	1	2

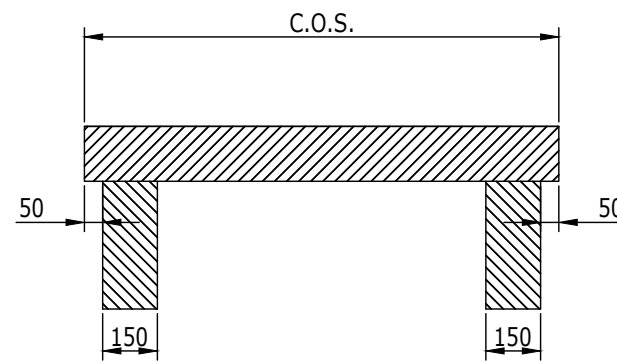
TO BE READ IN CONJUNCTION WITH VECTOR STANDARD ESE502 - DISTRIBUTION PACKAGE SUBSTATIONS

Rev	Amendments		Date	Name	Consultant	VECTOR	File name:	DISTRIBUTION TRANSFORMER INSTALLATION DRAWINGS TITLE PAGE & REVISION HISTORY	Reference designation:		Drawing function:		
	1	FIRST ISSUE							08/04/2016	TL	Author	HL	EDE5008-0000-1.dwg
2	SUPERSEEDS DRAWING NUMBER EDE5050	29/11/2017	KV	Auth Date	08/04/2016	Checked by	HL	Consultant project no:	NTS				
				Chk by date	08/04/2016	Approved by	TL	Vector project no:	ESE502 - DISTRIBUTION PACKAGE SUBSTATIONS STANDARD DRAWING		Drawing no:	Rev:	Sheet:
				Appr by date	08/04/2016	 <p>© Copyright Vector Limited 2012 All rights reserved, unauthorised reproduction prohibited</p>		EDE5008-0000		2	1 of 1		

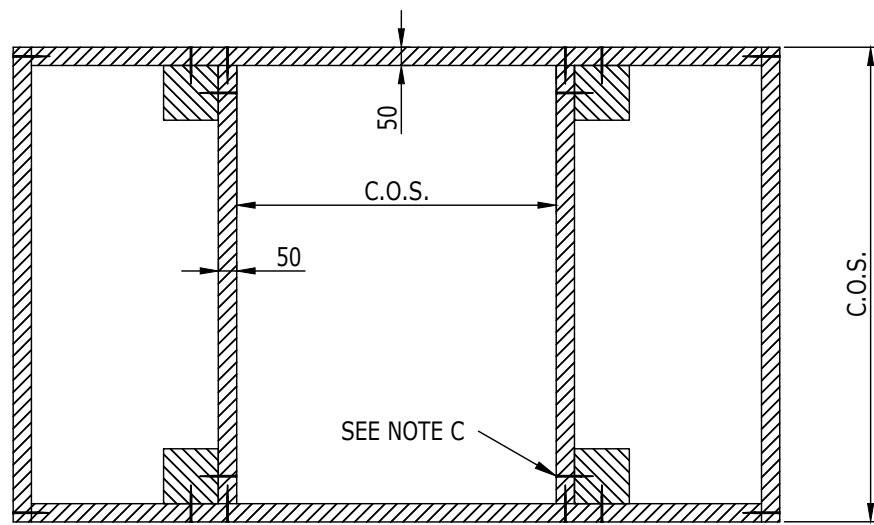
A3 Titleblock Version 4. © Copyright Vector Limited 2012 T:\SilverGroup\NETWORK\STANDARDS\Standard drawings\New Standard Drawing Numbering System - IN PROGRESS\15 - Distribution\CAD\ EDE5008-0001-1.dwg



FRONT VIEW



SIDE VIEW



TOP VIEW

**NOTES:**

- A. ALL DIMENSIONS ARE IN MILLIMETERS.
- B. 150X50 & 150X150 H5 TREATED STRUCTURAL TIMBER SHALL BE USED FOR WOOD FRAME CONSTRUCTION.
- C. M12 x 250mm LENGTH STAINLESS STEEL BOLTS TO BE USED TO FIT LEGS TO FRAME. STAINLESS STEEL SCREWS SHALL BE USED TO FIT THE FRAME TOGETHER.

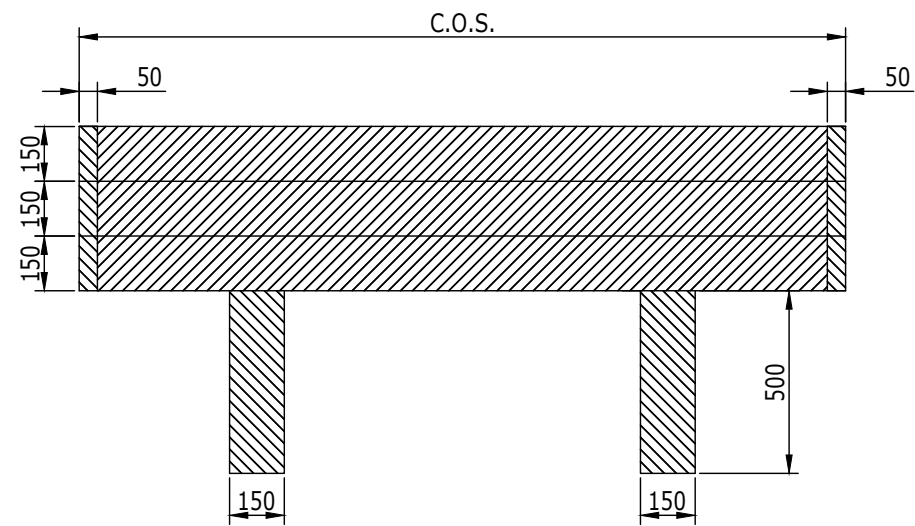
F	Rev	Amendments	Date	Name	Consultant	VECTOR	File name:	Reference designation:		Drawing function:	
	1	ISSUED FOR USE	17/06/2016	AA	Author	HL	EDE5008-0001-1.dwg	Drawing stamp:		Scale at A3:	Doc type:
	2	SUPERSEEDS DRAWING NUMBER EDE5051	29/11/2017	KV	Auth Date	09/06/2016	Consultant project no:	NTS			
					Checked by	BL	Vector project no:	Drawing no:		Rev:	Sheet:
					Chk by date	09/06/2016		EDE5008-0001		2	1 of 1
				Approved by	AP						
				Appr by date	09/06/2016						



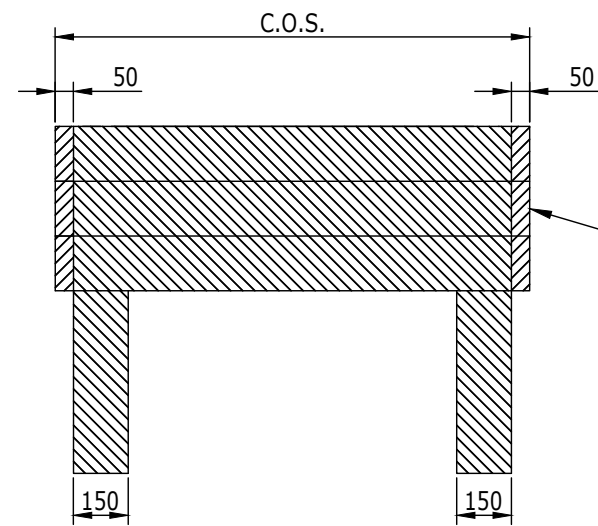
DISTRIBUTION TRANSFORMER INSTALLATION DRAWINGS  
 WOOD FRAME PAD ASSEMBLY FOR CUBICLE TYPE  
 DISTRIBUTION TRANSFORMER FLAT GROUND INSTALLATION  
 ESE502 - DISTRIBUTION PACKAGE SUBSTATIONS  
 STANDARD DRAWINGS

Reference designation:		Drawing function:	
Drawing stamp:		Scale at A3:	Doc type:
Drawing no:		Rev:	Sheet:
EDE5008-0001		2	1 of 1

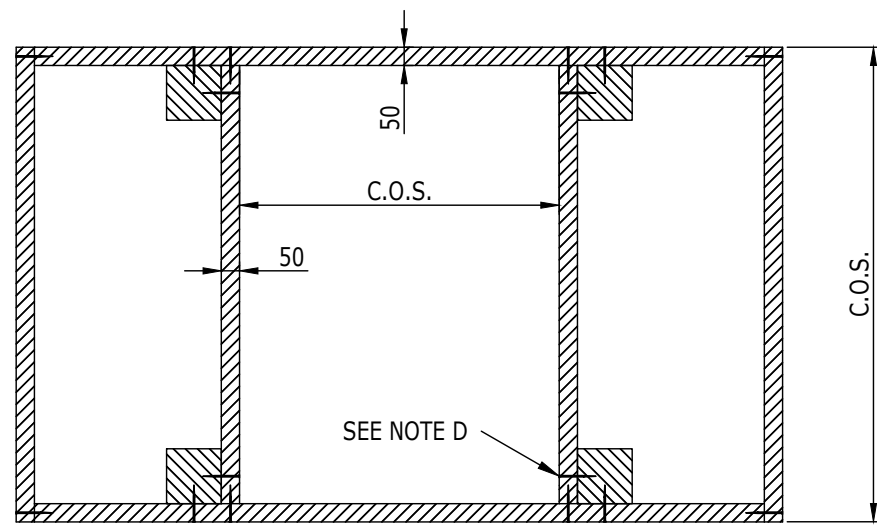
A3 Titleblock Version 4. © Copyright Vector Limited 2012 T:\SilverGroup\NETWORK\STANDARDS\Standard drawings\New Standard Drawing Numbering System - IN PROGRESS\15 - Distribution\CAD\ EDE5008-0002-1.dwg



FRONT VIEW



SIDE VIEW



TOP VIEW

**NOTES:**

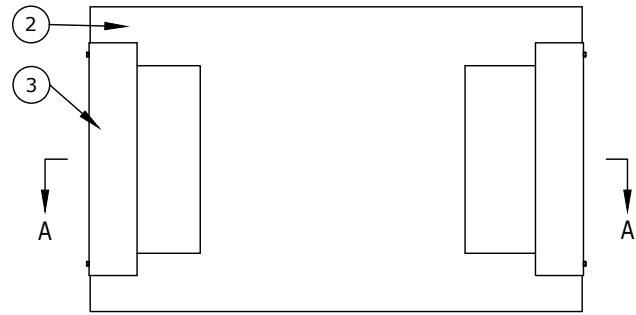
- A. ALL DIMENSIONS ARE IN MILLIMETERS.
- B. 150X50 & 150X150 H5 TREATED STRUCTURAL TIMBER SHALL BE USED FOR WOOD FRAME CONSTRUCTION.
- C. LEVELS OF WOOD FRAME SHALL BE CONFIRMED ON SITE BY SERVICE PROVIDERS.
- D. M12 x 250mm LENGTH STAINLESS STEEL BOLTS TO BE USED TO FIT LEGS TO FRAME. STAINLESS STEEL SCREWS SHALL BE USED TO FIT THE FRAME TOGETHER.

Rev	Amendments		Date	Name	Consultant	VECTOR	File name:	Reference designation:		Drawing function:	
	1	ISSUED FOR USE	17/06/2016	AA	Author	HL	EDE5008-0002-1.dwg	Drawing stamp:		Scale at A3:	Doc type:
2	SUPERSEEDS DRAWING NUMBER EDE5051		29/11/2017	KV	Auth Date	09/06/2016	Consultant project no:	NTS			
					Checked by	BL	Vector project no:	Drawing no:		Rev:	Sheet:
					Chk by date	09/06/2016		EDE5008-0002		2	1 of 1
					Approved by	AP					
					Appr by date	09/06/2016					

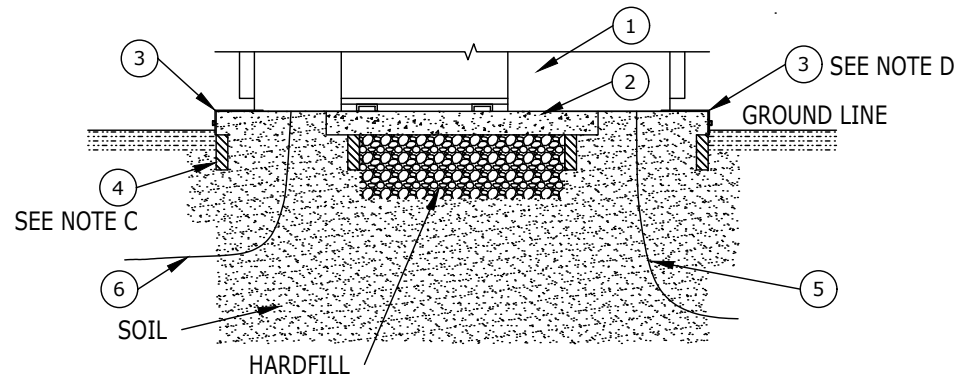


DISTRIBUTION TRANSFORMER INSTALLATION DRAWINGS  
 WOOD FRAME PAD ASSEMBLY FOR CUBICLE TYPE  
 DISTRIBUTION TRANSFORMER SLOPING GROUND INSTALLATION  
 ESE502 - DISTRIBUTION PACKAGE SUBSTATIONS  
 STANDARD DRAWINGS

A3 Titleblock Version 4. © Copyright Vector Limited 2012 T:\SilverGroup\NETWORK\STANDARDS\Standard drawings\New Standard Drawing Numbering System - IN PROGRESS\15 - Distribution\CAD\ EDE5008-0003-1.dwg



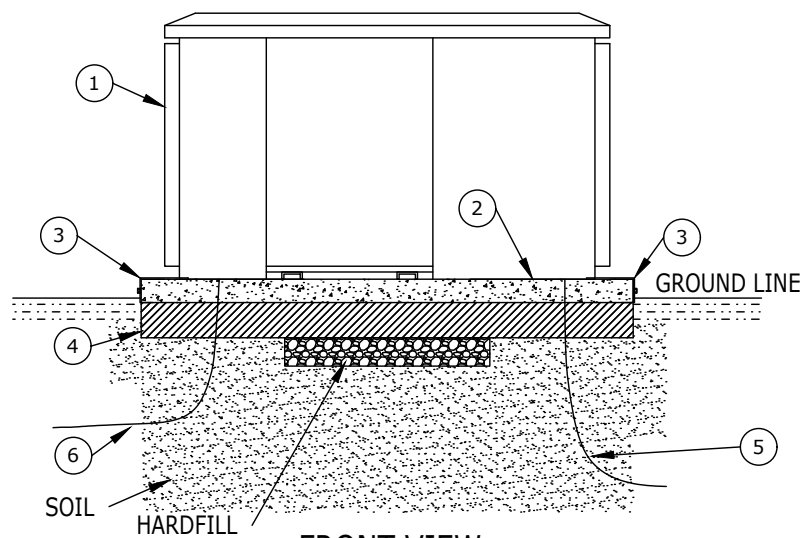
TOP VIEW - PRECAST CONCRETE BASE



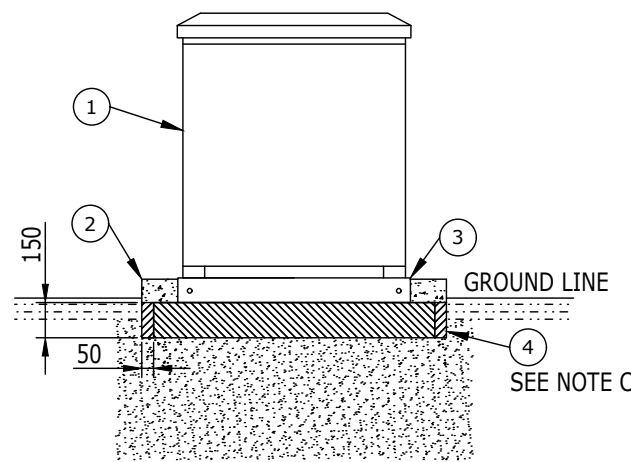
SECTION VIEW A-A

**NOTES:**

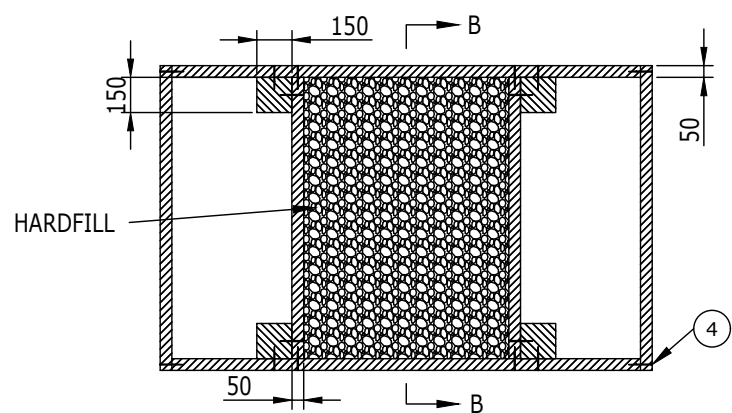
- A. ALL DIMENSIONS ARE IN MILLIMETERS.
- B. COMPACT HARDFILL SHALL BE CAPABLE OF PERMANENTLY WITHSTANDING AN ULTIMATE BEARING CAPACITY OF 300kPa.
- C. PLASTIC ANGLE PLATES SHALL EXTEND TO PREVENT ACCESS INTO CABLE COMPARTMENTS.



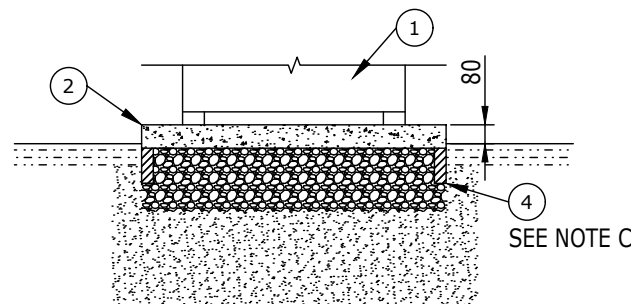
FRONT VIEW



SIDE VIEW



BOTTOM VIEW - WOOD FRAME



SECTION VIEW B-B

ITEM	DESCRIPTION	REFERENCE
1	GROUND MOUNTED ASSETS	
2	PRECAST CONCRETE BASE	
3	PLASTIC ANGLE PLATE	
4	WOOD FRAME	
5	HV UNDERGROUND CABLE	
6	LV UNDERGROUND CABLE	

Rev	Amendments	Date	Name	Consultant	VECTOR	File name:
1	ISSUED FOR USE	17/06/2016	AA	Author	HL	EDE5008-0003-1.dwg
2	SUPERSEEDS DRAWING NUMBER EDE5051	29/11/2017	KV	Auth Date	09/06/2016	Consultant project no:
				Checked by	BL	Vector project no:
				Chk by date	09/06/2016	
				Approved by	AP	
				Appr by date	09/06/2016	

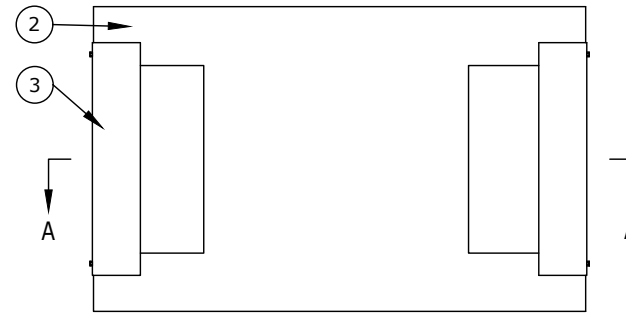
**Vector** 

© Copyright Vector Limited 2012  
All rights reserved, unauthorised reproduction prohibited

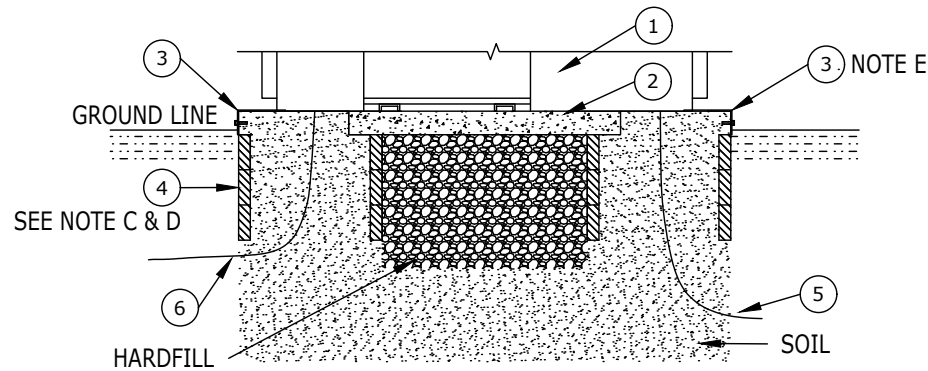
DISTRIBUTION TRANSFORMER INSTALLATION DRAWINGS  
INSTALLATION OF PRECAST BASE AND FRAME FOR CUBICLE  
TYPE DISTRIBUTION TRANSFORMER FLAT GROUND INSTALLATION  
ESE502 - DISTRIBUTION PACKAGE SUBSTATIONS  
STANDARD DRAWINGS

Reference designation:		Drawing function:	
Drawing stamp:	Scale at A3: NTS	Doc type:	
Drawing no: <b>EDE5008-0003</b>	Rev: <b>2</b>	Sheet: 1 of 1	

A3 Titleblock Version 4. © Copyright Vector Limited 2012 T:\SilverGroup\NETWORK\NETWORK STANDARDS\Standard drawings\New Standard Drawing Numbering System - IN PROGRESS\5 - Distribution\CAD\ED5008-0004-1.dwg



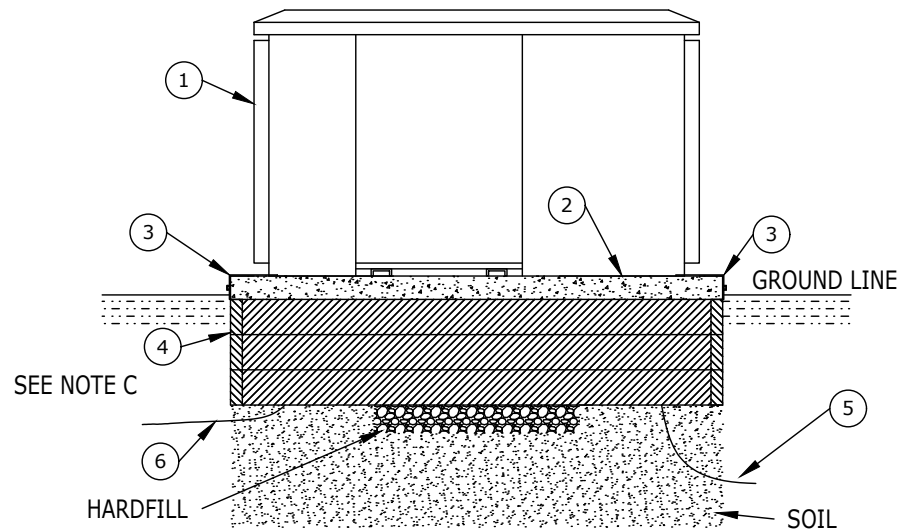
TOP VIEW - PRECAST CONCRETE BASE



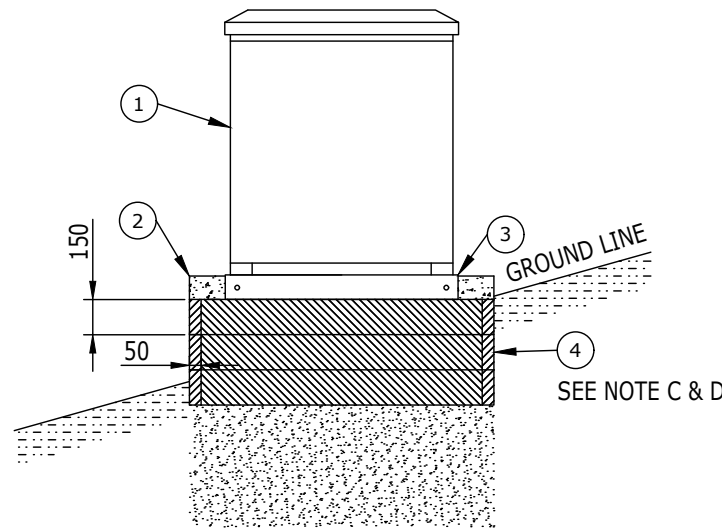
SECTION VIEW A-A

**NOTES:**

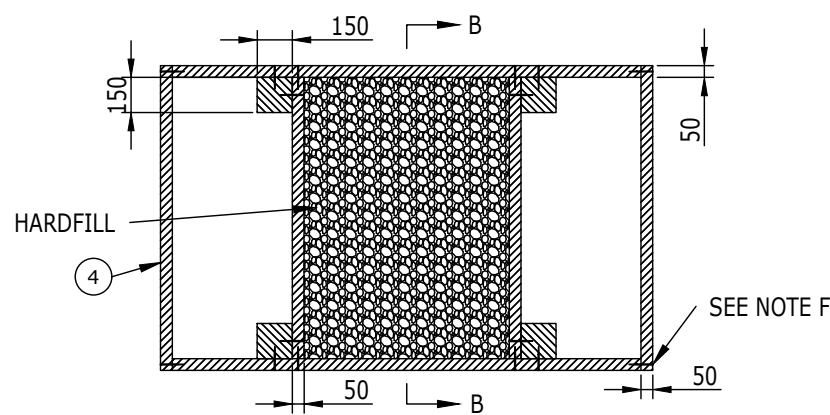
- A. ALL DIMENSIONS ARE IN MILLIMETERS.
- B. COMPACT HARDFILL SHALL BE CAPABLE OF PERMANENTLY WITHSTANDING AN ULTIMATE BEARING CAPACITY OF 300kPa.
- C. LEVELS OF WOOD FRAME SHALL BE CONFIRMED ON SITE BY SERVICE PROVIDERS.
- D. PLASTIC ANGLE PLATES SHALL EXTEND TO PREVENT ACCESS INTO CABLE COMPARTMENTS.



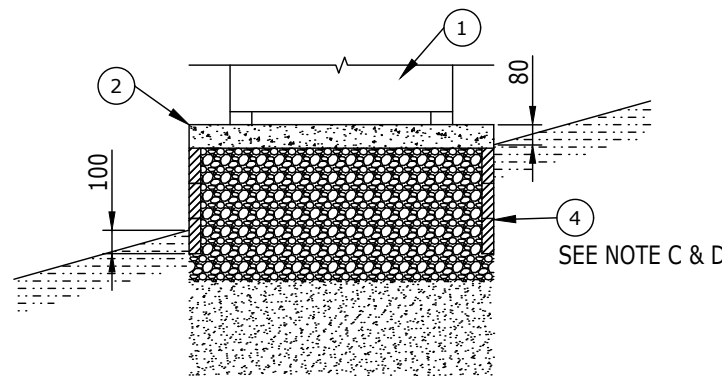
FRONT VIEW



SIDE VIEW



BOTTOM VIEW - WOOD FRAME



SECTION VIEW B-B

ITEM	DESCRIPTION	REFERENCE
1	GROUND MOUNTED ASSETS	
2	PRECAST CONCRETE BASE	
3	PLASTIC ANGLE PLATE	
4	WOOD FRAME	
5	HV UNDERGROUND CABLE	
6	LV UNDERGROUND CABLE	

Rev	Amendments	Date	Name	Consultant	VECTOR	File name:
1	ISSUED FOR USE	17/06/2016	AA	Author	HL	EDE5008-0004-1.dwg
2	SUPERSEEDS DRAWING NUMBER EDE5051	29/11/2017	KV	Auth Date	09/06/2016	Consultant project no:
				Checked by	BL	Vector project no:
				Chk by date	09/06/2016	
				Approved by	AP	
				Appr by date	09/06/2016	

**Vector** 

© Copyright Vector Limited 2012  
All rights reserved, unauthorised reproduction prohibited

DISTRIBUTION TRANSFORMER INSTALLATION DRAWINGS  
INSTALLATION OF PRECAST BASE AND FRAME FOR CUBICLE  
TYPE DISTRIBUTION TRANSFORMER SLOPING GROUND INSTALLATION

ESE502 - DISTRIBUTION PACKAGE SUBSTATIONS  
STANDARD DRAWINGS

Reference designation:	Drawing function:
Drawing stamp:	Scale at A3: NTS
Drawing no: <b>EDE5008-0004</b>	Rev: <b>2</b>
	Sheet: <b>1 of 1</b>