

EDE5012

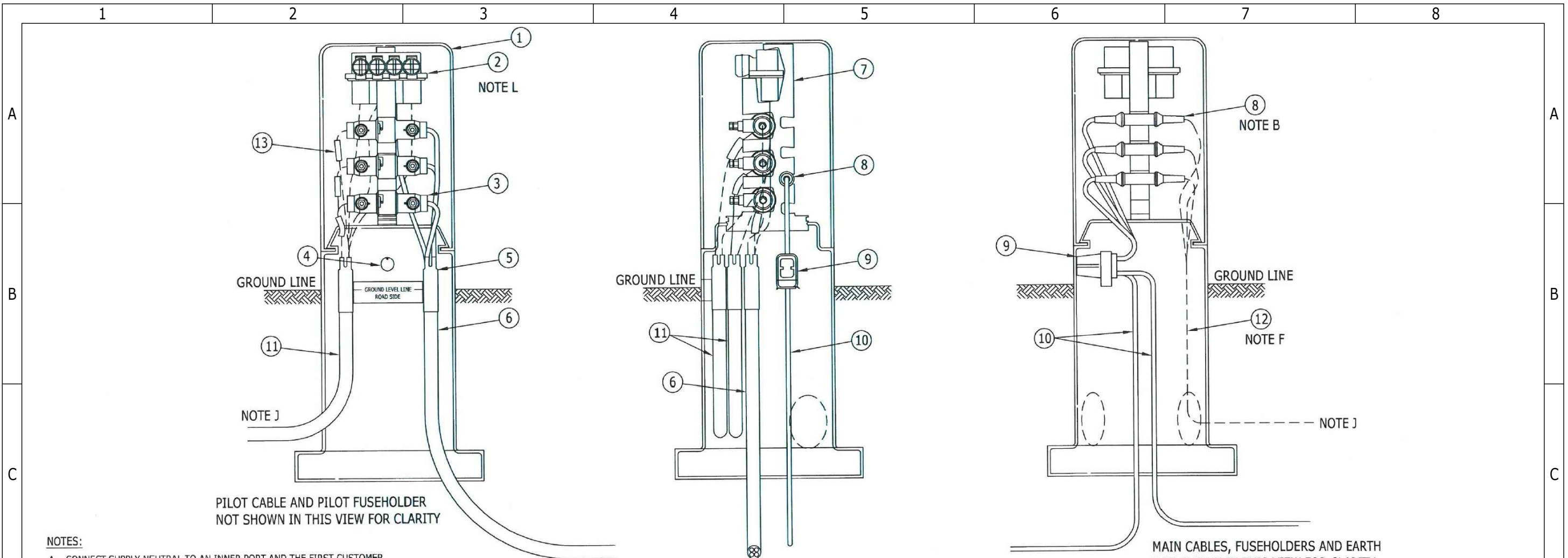
SERVICE PILLAR ARRANGEMENTS

DRAWING No.	TITLE	REVISION			
EDE5012-0000-1	TITLE PAGE AND REVISION HISTORY	1			
EDE5012-0001-1	UP TO THREE SINGLE PHASE MAINS	1	2		
EDE5012-0002-1	1 X 3 PHASE PLUS 1 X 1 PHASE OR 4 X 1 PHASE MAIN	1	2		
EDE5012-0003-1	4 WAY + BUS SECTION LINK PILLAR / PILLAR ENCLOSURE	1	2	3	4
EDE5012-0004-1	3 WAY LINK PILLAR / PILLAR ENCLOSURE	1	2	3	4

REVISION HISTORY		
DATE	REVISION	DESCRIPTION
08/2005	1	FIRST ISSUE
11/2005	2	FORMATTING CHANGES
1/12/2017	3	DRAWING NUMBER CHANGED

TO BE READ IN CONJUNCTION WITH VECTOR STANDARD ESE504 - LOW VOLTAGE UNDERGROUND DISTRIBUTION

Rev	Amendments		Date	Name	Consultant	VECTOR	File name:	 <p>© Copyright Vector Limited 2012 All rights reserved, unauthorised reproduction prohibited</p>	SERVICE PILLAR ARRANGEMENTS TITLE PAGE & REVISION HISTORY	Reference designation:		Drawing function:		
	1	FIRST ISSUE	18/09/2017	SC	Author	SC	EDE5012-0000-1.dwg			ESE504 - LOW VOLTAGE UNDERGROUND DISTRIBUTION STANDARD DRAWING	Drawing stamp:		Scale at A3:	Doc type:
					Checked by	HR	Consultant project no:				NTS	Drawing no: EDE5012-0000	Rev: 1	Sheet: 1 of 1
					Chk by date	18/09/2017	Vector project no:							
					Approved by	AP								
				Appr by date	18/09/2017									

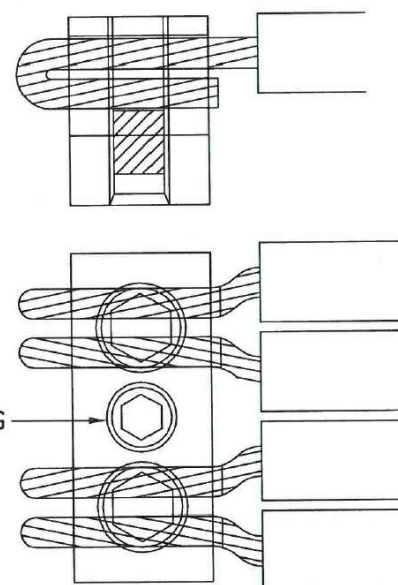


PILOT CABLE AND PILOT FUSEHOLDER NOT SHOWN IN THIS VIEW FOR CLARITY

MAIN CABLES, FUSEHOLDERS AND EARTH NOT SHOWN IN THIS VIEW FOR CLARITY

NOTES:

- A. CONNECT SUPPLY NEUTRAL TO AN INNER PORT AND THE FIRST CUSTOMER NEUTRAL TO THE OTHER INNER PORT.
- B. HOT WATER PILOT ONLY REQUIRED IN PILOT CONTROLLED AREAS. INSTALL FUSES LOADED WITH 10 A FUSE LINKS AS REQUIRED. LOWEST 30 A FUSEHOLDER SLOT RESERVED FOR STREETLIGHT USE.
- C. UP TO THREE CUSTOMER MAIN FUSES INSTALLED AS REQUIRED.
- D. BREAK OUT CORES OF MULTICORE CABLES ABOVE GROUND LEVEL. ALTERNATIVELY, SHRINK SLEEVE THE CORES WHEN THEY ARE IN CONTACT WITH THE GROUND.
- E. UNUSED SERVICE BRANCH CABLE CORES TO BE SHRINK CAPPED AND LAID INTO THE UNUSED FUSE SLOTS.
- F. CUSTOMER MAIN HOT WATER PILOT MAY BE LAID UP IN THE CUSTOMER MAIN CABLE.
- G. SPARE FOR FUTURE USE IF MORE HOT WATER CONTROL PILOTS ARE REQUIRED.
- H. CUSTOMER LOCATION DETAIL MARKER REQUIRED FOR EACH PHASE OF ALL CUSTOMER MAINS.
- I. A NEUTRAL EARTH IS TO BE INSTALLED AT EVERY THIRD PILLAR OR THE NEAREST PILLAR TO THIS SPACING IF A SPARE NEUTRAL PORT CONNECTION IS NOT AVAILABLE. REFER TO END-3001.
- J. USE OF 100 A SERVICE PILLARS INSTEAD OF TUDS IS ONLY PERMITTED IN PARTICULAR CIRCUMSTANCES.
- K. ONLY ONE CABLE SHOWN.
- L. MINIMUM OF FOUR OR MORE WAYS AS REQUIRED.



EXPANDED VIEW OF ITEM 9 WITHOUT THE CAP

ITEM	DESCRIPTION	REFERENCE
1	ECOPILLAR TYPE 1 INCLUDING FUSE MOUNTING RACK OR SIMILAR APPROVED PILLAR	ESS001
2	GELPORT NEUTRAL BAR (NOTE L)	ESS001
3	MICHAUD K221 IPC MAINS FUSEHOLDER	ESS001
4	PILLAR SERIAL NUMBER	ESS001
5	SHRINK TYPE BREAKOUT BOOT	ESS001
6	SERVICE BRANCH CABLE	ESS001
7	FUSE MOUNTING RACK	ESS001
8	AMERACE 65U 30 A HOT WATER PILOT FUSEHOLDER	ESS001
9	GELCAP PILOT WIRE CONNECTION BLOCK	ESS001
10	DISTRIBUTION NETWORK HOT WATER PILOT	ESS001
11	CUSTOMER MAIN CABLES	ESS001
12	CUSTOMER MAIN HOT WATER PILOT CABLE WHERE REQUIRED	ESS001
13	CUSTOMER LOCATION DETAIL MARKER	ESS001

A3 Titleblock Version 4. © Copyright Vector Limited 2012

Rev	Amendments	Date	Name	Consultant	VECTOR	File name:
1	FIRST ISSUE	22/09/2014	JEB	Author	JEB	EDE5012-0001-1.dwg
2	SUPERSEEDS DRAWING NUMBER END-2021	01/12/2017	KV	Auth Date	13/11/2007	Consultant project no:
				Checked by	SJM	Vector project no:
				Chk by date	22/09/2014	
				Approved by	DP	
				Appr by date	22/09/2014	

Vector

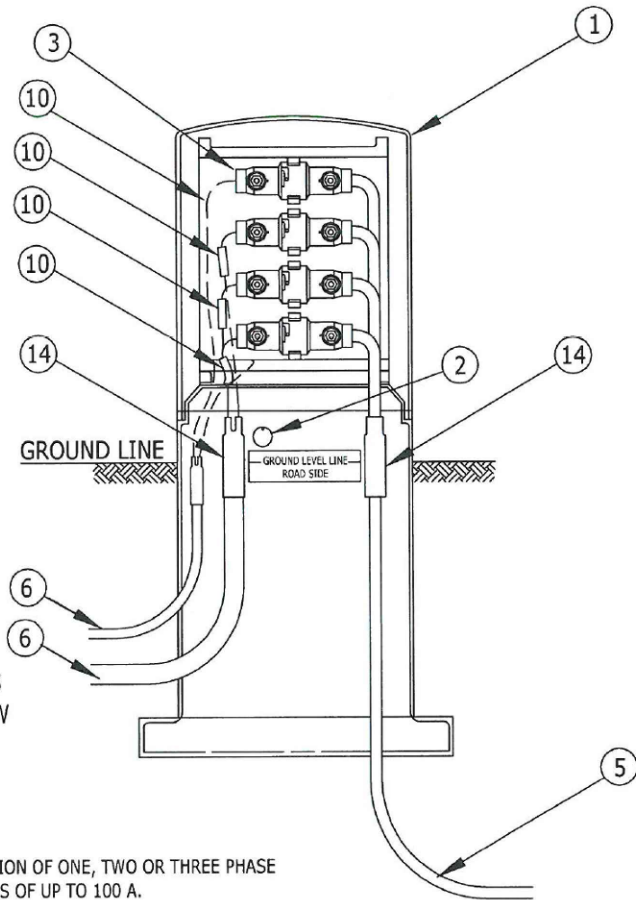
© Copyright Vector Limited 2012
All rights reserved, unauthorised reproduction prohibited

**SERVICE PILLAR ARRANGEMENTS
UP TO THREE SINGLE PHASE MAINS**

ESE504 - LOW VOLTAGE UNDERGROUND DISTRIBUTION
STANDARD DRAWING

Reference designation:	Drawing function:	
Drawing stamp:	Scale at A3: NTS	Doc type:
Drawing no: EDE5012-0001	Rev: 2	Sheet: 1 of 1

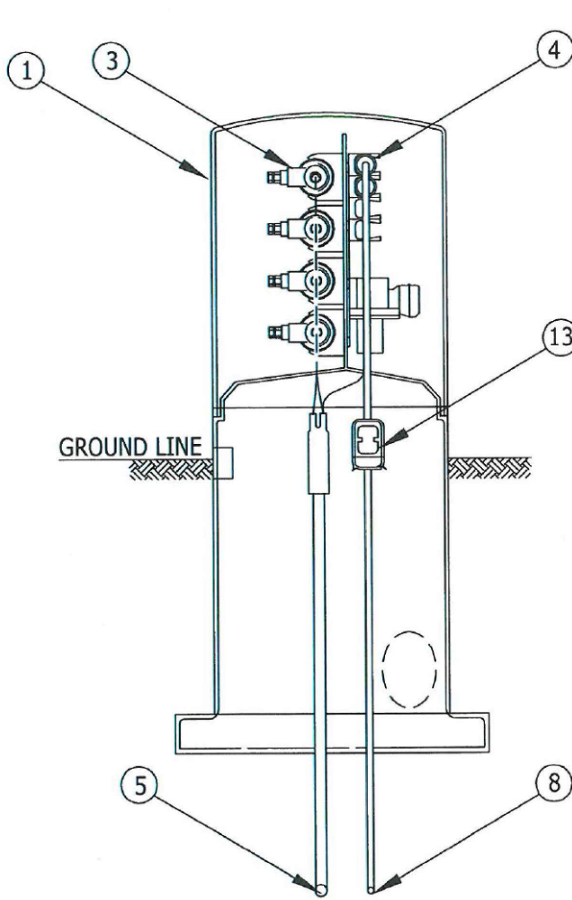
NOTE I



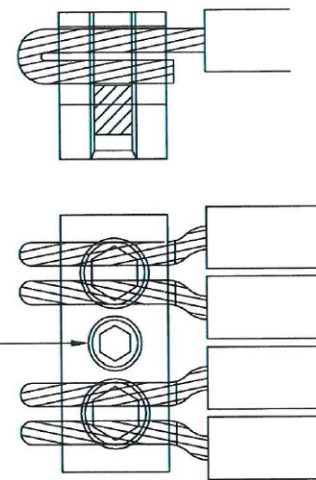
NEUTRAL BAR, PILOT FUSES AND PILOT CABLES NOT SHOWN IN THIS VIEW FOR CLARITY

NOTES:

- A. SUITABLE FOR ANY COMBINATION OF ONE, TWO OR THREE PHASE MAINS REQUIRING FOUR FUSES OF UP TO 100 A.
- B. HOT WATER PILOT ONLY REQUIRED IN PILOT CONTROLLED AREAS. INSTALL FUSES LOADED WITH 10 A FUSE LINKS AS REQUIRED. LOWEST 30 A FUSEHOLDER SLOT RESERVED FOR STREETLIGHT USE (UNLESS REQUIRED FOR HOT WATER CONTROL).
- C. UP TO FOUR CUSTOMER MAIN FUSES INSTALLED AS REQUIRED.
- D. BREAK OUT CORES OF MULTICORE CABLES ABOVE GROUND LEVEL. ALTERNATIVELY, SHRINK SLEEVE THE CORES WHEN THEY ARE IN CONTACT WITH THE GROUND.
- E. THREE PHASES TO BE AVAILABLE IN EACH PILLAR. UNUSED SERVICE BRANCH CABLE CORES TO BE SHRINK CAPPED AND LAID INTO THE UNUSED FUSE SLOTS.
- F. A NEUTRAL EARTH IS TO BE INSTALLED AT EVERY THIRD PILLAR OR THE NEAREST PILLAR TO THIS SPACING IF A SPARE NEUTRAL PORT CONNECTION IS NOT AVAILABLE. REFER TO END-3001.
- G. CUSTOMER MAIN HOT WATER PILOT MAY BE LAID UP IN THE CUSTOMER MAIN CABLE.
- H. SPARE FOR USE WHEN MORE HOT WATER CONTROL PILOTS ARE REQUIRED.
- I. CUSTOMER LOCATION DETAIL MARKER REQUIRED FOR EACH PHASE OF ALL CUSTOMER MAINS.
- J. PHASE CONNECTION FOR THE FOURTH FUZE BY A 25 mm² 178 Cu TAIL WEDGE CONNECTED WITH GELBOX ONTO ONE OF THE SERVICE BRANCH CABLE CORES.
- K. USE OF 100 A SERVICE PILLARS INSTEAD OF TUDS IS ONLY PERMITTED IN PARTICULAR CIRCUMSTANCES.
- L. MINIMUM OF FOUR OR MORE WAYS AS REQUIRED.

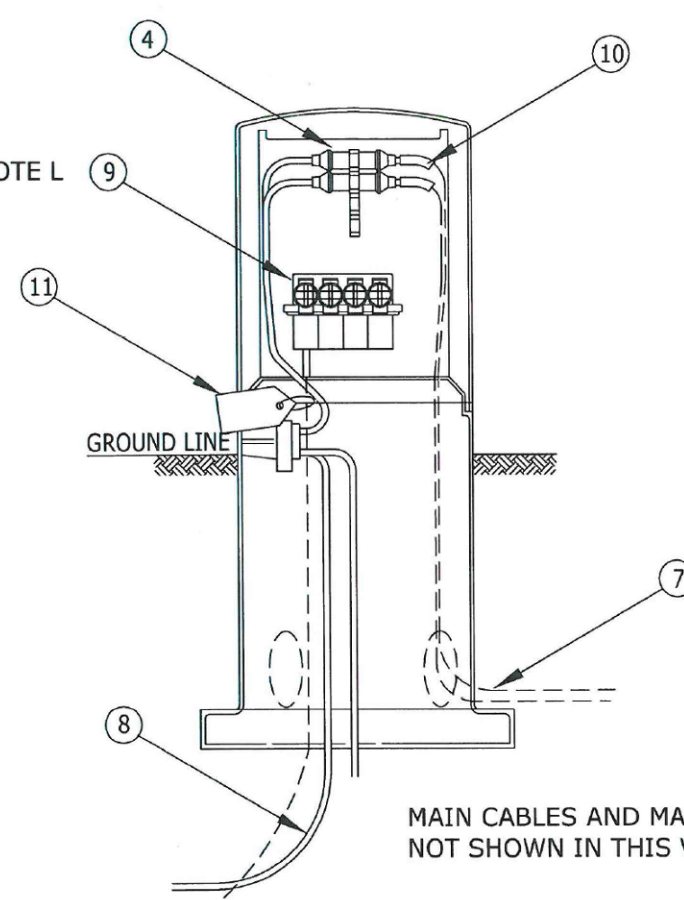


NOTE H



EXPANDED VIEW OF ITEM 13 WITHOUT THE CAP

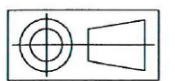
NOTE L



MAIN CABLES AND MAIN FUSEHOLDERS NOT SHOWN IN THIS VIEW FOR CLARITY

NOTE F

ITEM	DESCRIPTION	REFERENCE
1	ECOPILLAR TYPE 1 INCLUDING FUSE MOUNTING RACK OR SIMILAR APPROVED PILLAR	ESS001
2	PILLAR SERIAL NUMBER	ESS001
3	MICHAUD K221 IPC MAINS FUSEHOLDER	ESS001
4	AMERACE 65U 30 A HOT WATER PILOT FUSEHOLDER	ESS001
5	SERVICE BRANCH CABLE	ESS001
6	CUSTOMER MAIN CABLE	ESS001
7	CUSTOMER MAIN HOT WATER PILOT CABLE WHERE REQUIRED	ESS001
8	DISTRIBUTION HOT WATER PILOT CABLE WHERE INSTALLED	ESS001
9	GELPORT NEUTRAL BAR (NOTE L)	ESS001
10	CUSTOMER LOCATION DETAIL MARKER	ESS001
11	BURIED EARTH TAG	ESS001
12	EARTH ROD AND CONNECTOR	ESS001
13	GELCAP PILOT WIRE CONNECTION BLOCK	ESS001
14	SHRINK TYPE BREAKOUT BOOT	ESS001



A3 Titleblock Version 4. © Copyright Vector Limited 2012

Rev	Amendments	Date	Name	Consultant	VECTOR	File name:
1	FIRST ISSUE	22/09/2014	JEB	Author	JEB	EDE5012-0002-1.dwg
2	SUPERSEEDS DRAWING NUMBER END-2024	01/12/2017	KV	Auth Date	13/11/2007	Consultant project no:
				Checked by	SJM	Vector project no:
				Chk by date	22/09/2014	
				Approved by	DP	
				Appr by date	22/09/2014	

Vector

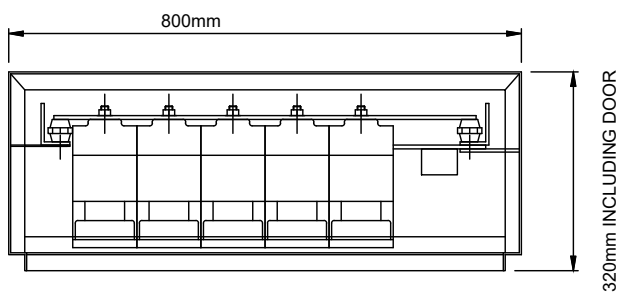
© Copyright Vector Limited 2012
All rights reserved, unauthorised reproduction prohibited

SERVICE PILLAR ARRANGEMENTS
 1 X 3 PHASE PLUS 1 X 1 PHASE
 OR 4 X 1 PHASE MAIN
 ESE504 - LOW VOLTAGE UNDERGROUND DISTRIBUTION
 STANDARD DRAWING

Reference designation:	Drawing function:
Drawing stamp:	Scale at A3: NTS
Drawing no: EDE5012-0002	Rev: 2
	Sheet: 1 of 1

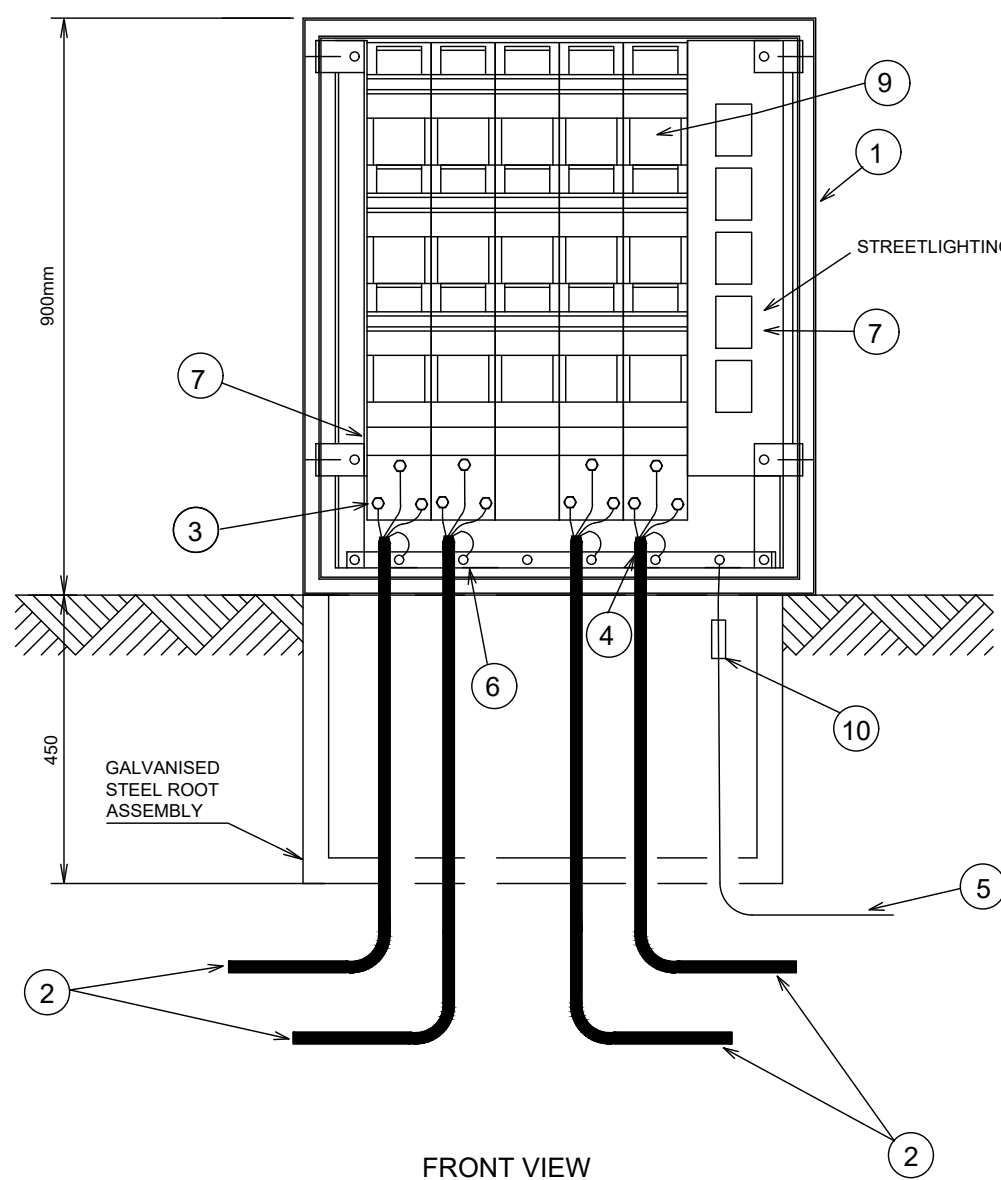
1 2 3 4 5 6 7 8

A

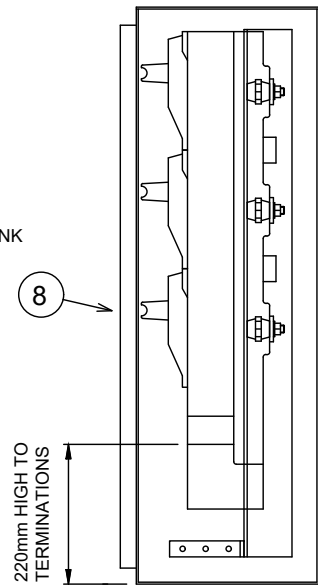


TOP VIEW

B



FRONT VIEW

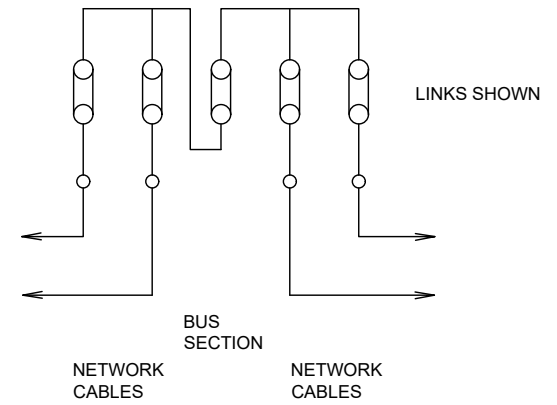


SIDE VIEW

ITEM	DESCRIPTION	REFERENCES
1	PILLAR NETWORK LINK 400 AMP 3-PHASE 4 WAY	ESS001
2	NETWORK CABLES	ESS001
3	COMPRESSION LUGS TO SUIT PHASE CONDUCTORS	ESS001
4	SHRINKABLE INSULATING BOOT	ESS001
5	EARTH CABLE 25 mm ² Cu GREEN/YELLOW PVC	ESS001
6	COMPRESSION LUGS TO SUIT NEUTRAL CONDUCTORS	ESS001
7	LABEL	ESS001
8	STANDARD VECTOR KEYED LATCH	
9	SWITCHFUSE 400A DIN SIZE 2	ESS001
10	BURIED EARTH TAG	

NOTES:

- A. PILLAR MAY BE INSTALLED FREE STANDING OR FIXED AGAINST/FLUSH INTO A RECESS. ROOT TO BE FIRMLY SECURED.
- B. PILLAR IS FRONT ACCESS TYPE WITH A HINGED DOOR.
- C. INSTALL NEUTRAL EARTH. REFER DRAWING END-3001.
- D. DIMENSIONS ARE APPROXIMATE EXCEPT, FOR THE HEIGHT ABOVE GROUND LEVEL WHICH IS NOT TO EXCEED 900MM.



A3 Titleblock Version 4. © Copyright Vector Limited 2012

Rev	Amendments	Date	Name	Consultant	VECTOR	File name:
1	REPLACES SD-023-104	07/10/2005	JEB	Author	JEB	EDE5012-0003-1.dwg
2	FORMATTING CHANGES	11/2005	JEB	Auth Date	07/10/2005	Consultant project no:
3	ITEM 10 & 11 ADDED	09/2006	JEB	Checked by	DA	Vector project no:
4	SUPERSEEDS DRAWING NUMBER END-2011	01/12/2017	KV	Chk by date	07/10/2005	
				Approved by	KE	
				Appr by date	07/10/2005	

Vector

© Copyright Vector Limited 2012
All rights reserved, unauthorised reproduction prohibited

SERVICE PILLAR ARRANGEMENTS
4 WAY + BUS SECTION LINK PILLAR
PILLAR ENCLOSURE

ESE504 - LOW VOLTAGE UNDERGROUND DISTRIBUTION
STANDARD DRAWING

Reference designation:	Drawing function:
Drawing stamp:	Scale at A3: NTS
Drawing no: EDE5012-0003	Rev: 4
Doc type:	Sheet: 1 of 1

1 2 3 4 5 6 7 8

A

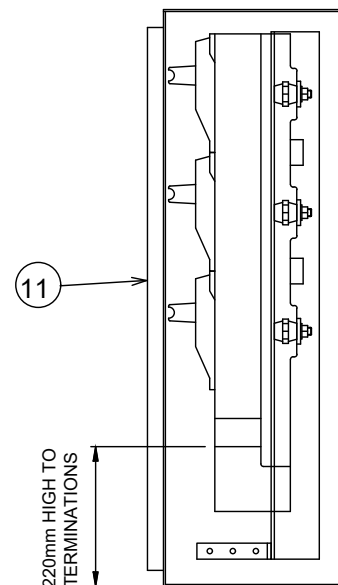
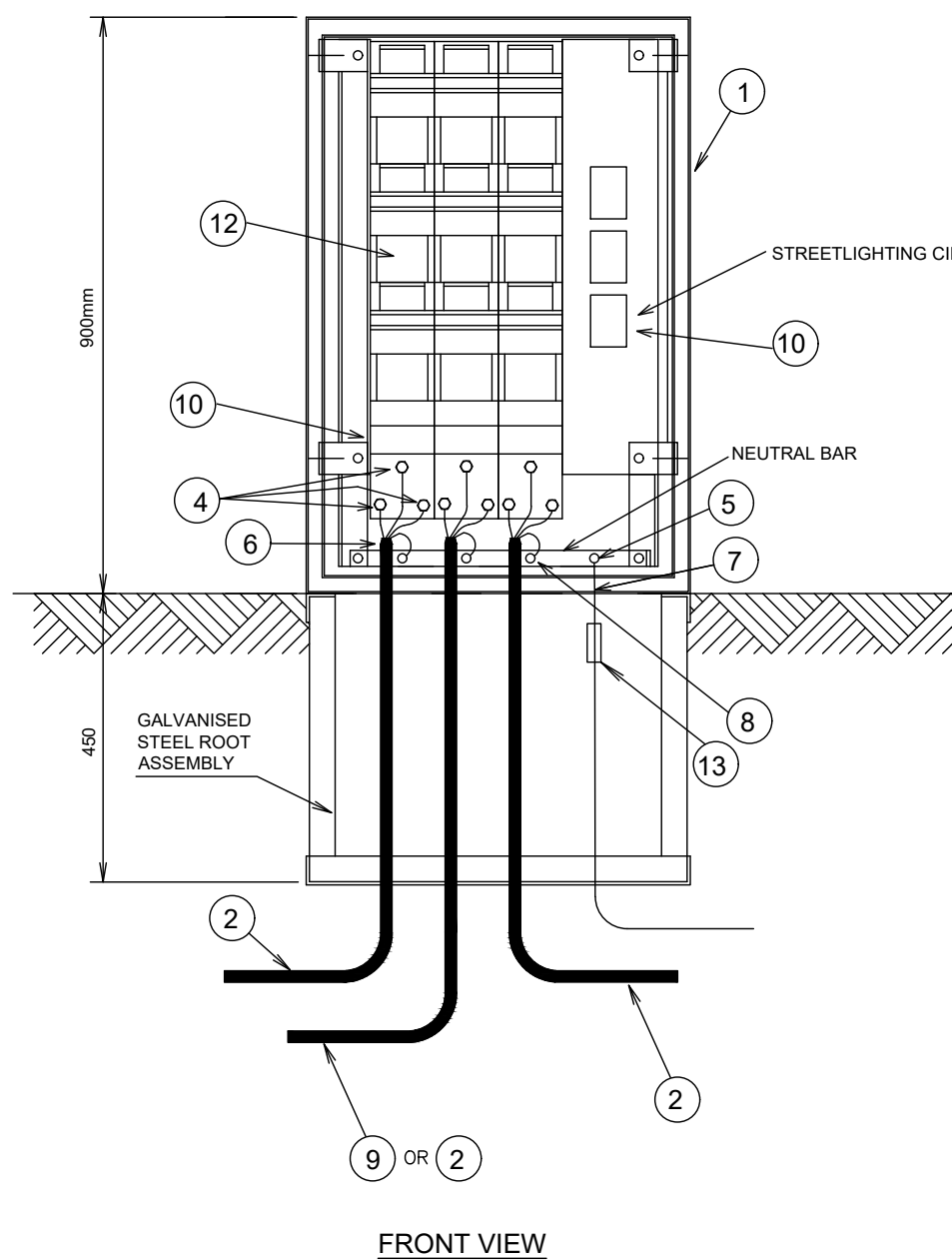
B

C

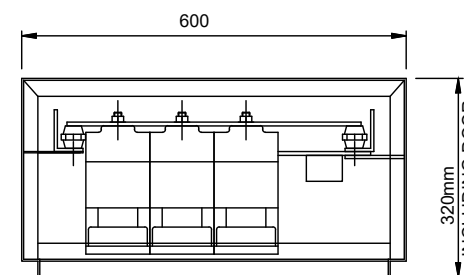
D

E

F



SIDE VIEW

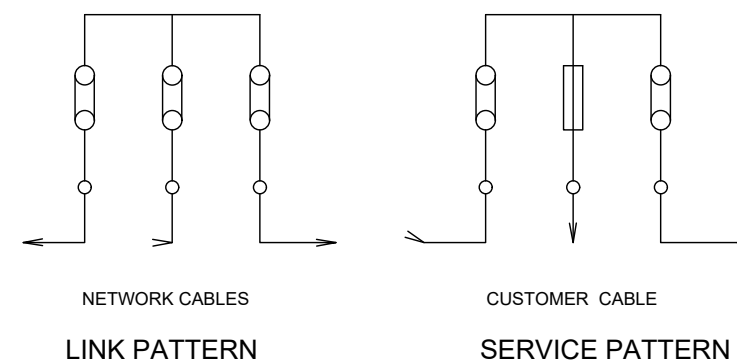


TOP VIEW

ITEM	DESCRIPTION	REFERENCES
1	PILLAR NETWORK LINK 400 AMP 3-PHASE 3 WAY	ESS001
2	NETWORK CABLES	ESS001
4	COMPRESSION LUGS TO SUIT PHASE CONDUCTORS	ESS001
5	COMPRESSION LUG 25 mm ² Cu	ESS001
6	SHRINKABLE INSULATING BOOT	ESS001
7	EARTH CABLE 25mm ² Cu GREEN/YELLOW PVC	ESS001
8	COMPRESSION LUGS TO SUIT NEUTRAL CONDUCTORS	ESS001
9	CUSTOMER CABLE	
10	LABEL	ESS001
11	STANDARD VECTOR KEYED LATCH	
12	SWITCHFUSE 400A DIN SIZE 2	ESS001
13	BURIED EARTH TAG	

NOTES:

- A. PILLAR MAY BE INSTALLED FREE STANDING OR FIXED AGAINST/FLUSH INTO A RECESS. ROOT TO BE FIRMLY SECURED.
- B. PILLAR IS FRONT ACCESS TYPE WITH A HINGED DOOR.
- C. INSTALL NEUTRAL EARTH. REFER DRAWING END-3001.
- D. DIMENSIONS ARE APPROXIMATE, EXCEPT FOR THE HEIGHT ABOVE GROUND LEVEL WHICH IS NOT TO EXCEED 900MM.



LINK PATTERN

SERVICE PATTERN

A3 Titleblock Version 4. © Copyright Vector Limited 2012

Rev	Amendments	Date	Name	Consultant	VECTOR	File name:
1	REPLACES SD-023-101	07/10/2005	JEB	Author	JEB	EDE5012-0004-1.dwg
2	FORMATTING CHANGES	11/2005	JEB	Auth Date	07/10/2005	Consultant project no:
3	ITEM 13 ADDED	09/2006	JEB	Checked by	DA	Vector project no:
4	SUPERSEEDS DRAWING NUMBER END-2012	01/12/2017	KV	Chk by date	07/10/2005	
				Approved by	KE	
				Appr by date	07/10/2005	



SERVICE PILLAR ARRANGEMENTS
3 WAY LINK PILLAR
PILLAR ENCLOSURE
 ESE504 - LOW VOLTAGE UNDERGROUND DISTRIBUTION
 STANDARD DRAWING

Reference designation:	Drawing function:	
Drawing stamp:	Scale at A3: NTS	Doc type:
Drawing no: EDE5012-0004	Rev: 4	Sheet: 1 of 1